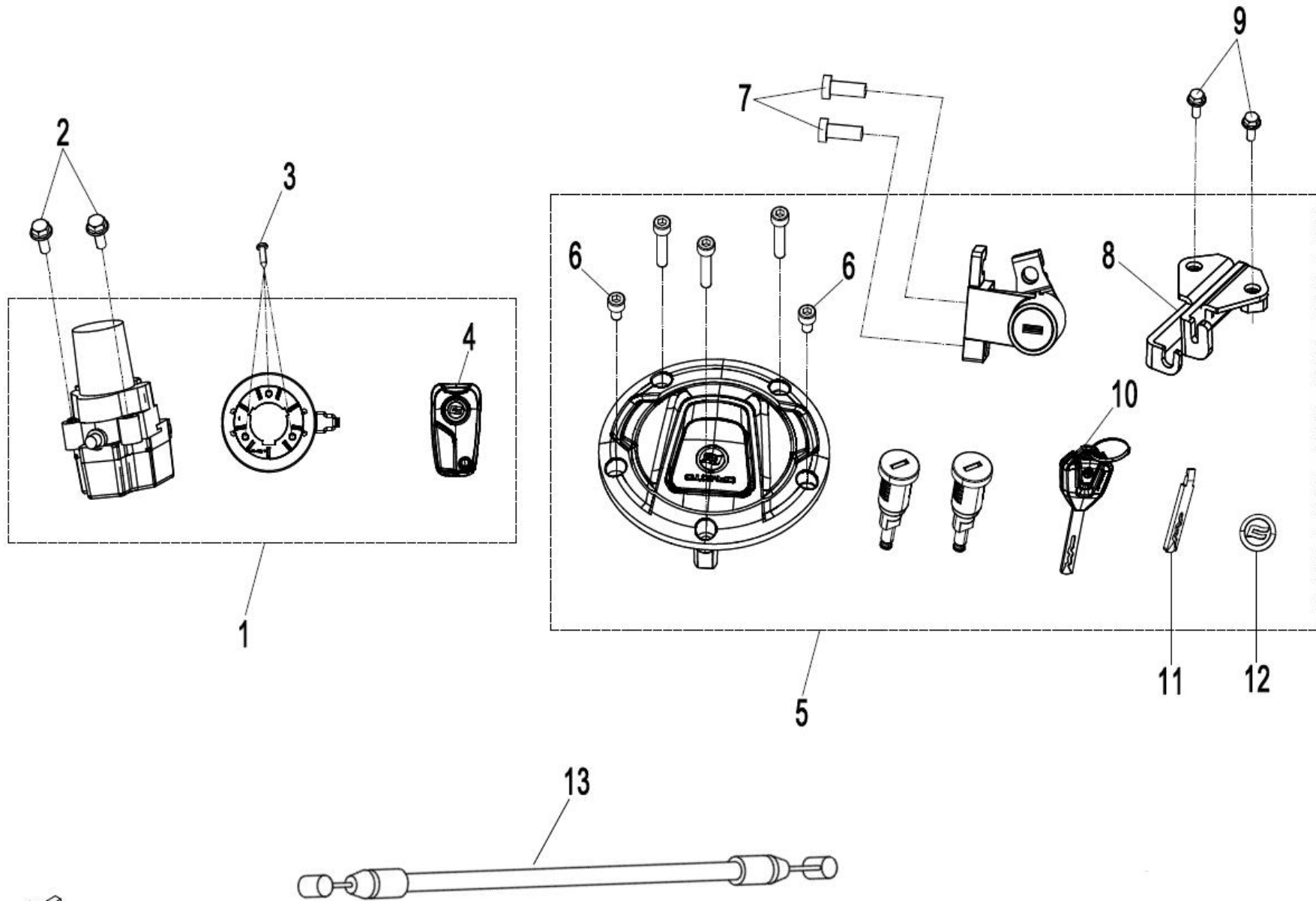
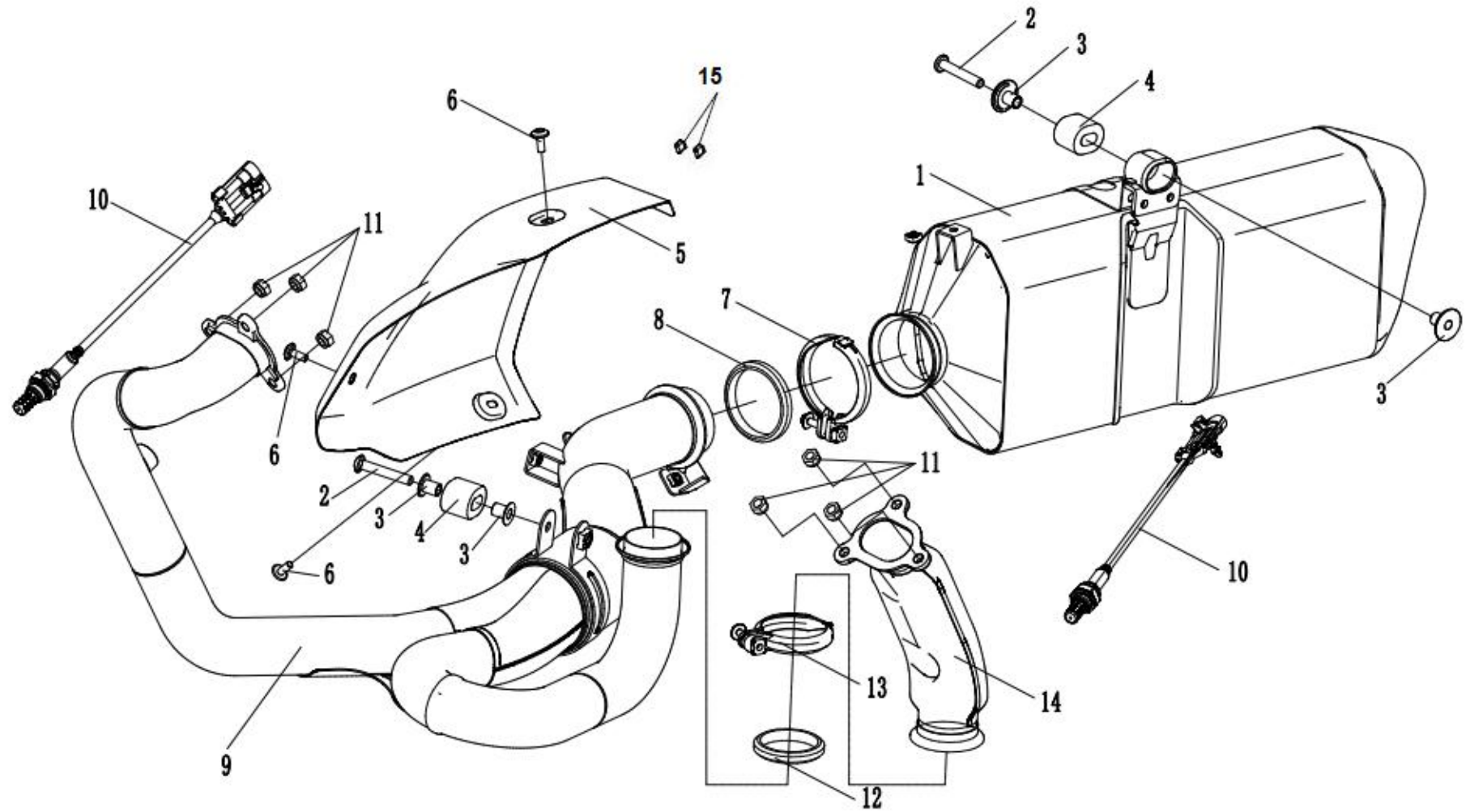


F01锁具总成/LOCK ASSY



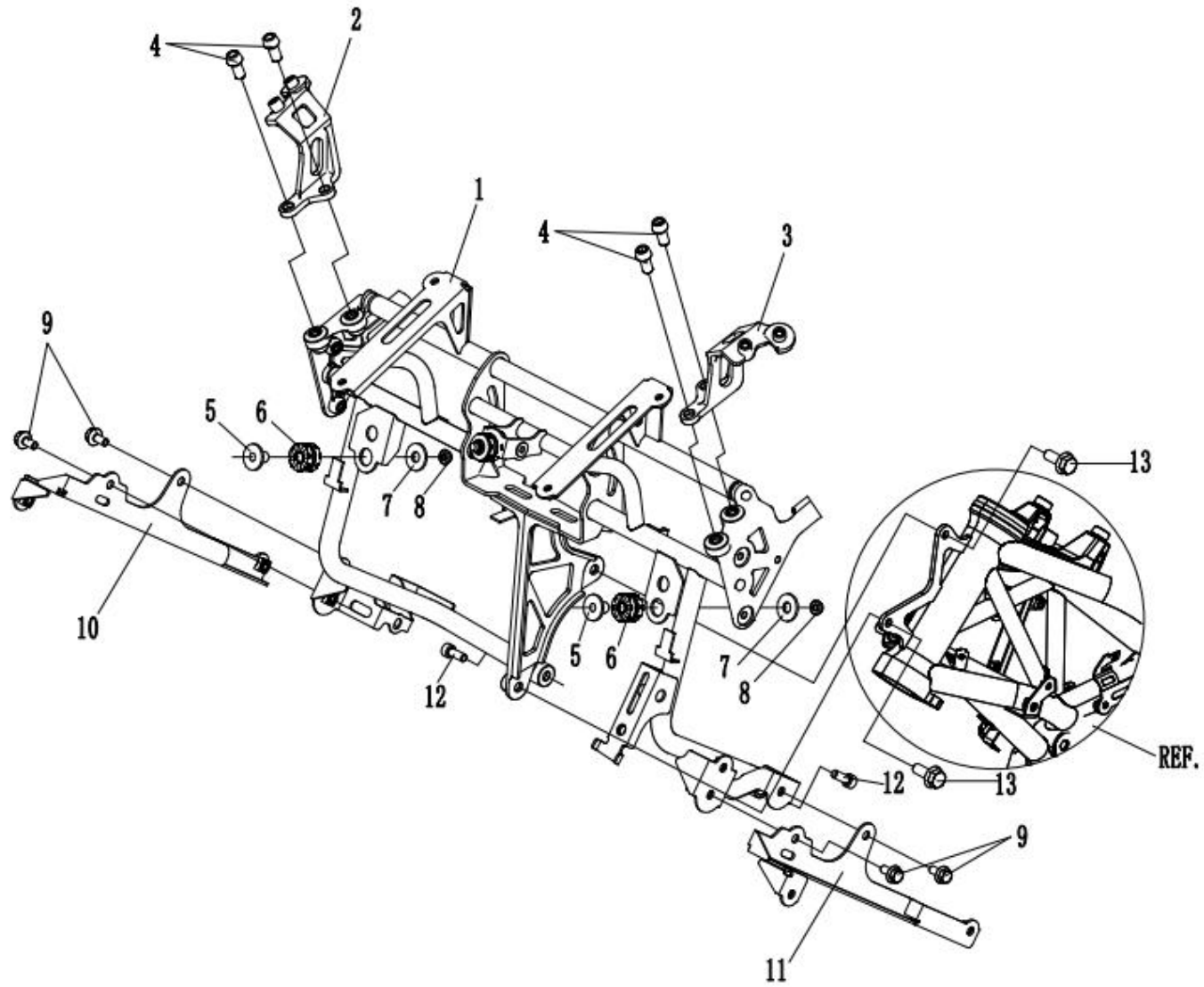
Item No.	Parts Number	Parts Name(EN)	Parts Name(CN)	Qty	Remarks
F01-01	6GUV-011100-7000	KEYLESS-GO LOCK KIT	无钥匙启动总成	1	
F01-02	30102-080020810	SCREW M8x20	螺钉 M8X20	2	
F01-03	30118-420130010	SELF-TAPPING SCREW ST4.2x13	自攻螺钉 ST4.2X13	3	
F01-04	6WWV-011130-5100-M1	ACTIVE TRANSPONDER	主动钥匙	1	
F01-05	6L32-011200	LOCK KIT	机械锁具组合	1	
F01-06	30102-050008900	INNER HEX SCREW M5x8	内六角圆柱头螺钉 M5X8	2	
F01-07	30105-050012410	SCREW M5x12	螺钉 M5X12	2	
F01-08	A000-010600	LOCK SEAT, SEAT	座垫锁座组合	1	
F01-09	30006-060012810	BOLT M6x12	螺栓M6×12	2	ALT:- 30006-060012870
F01-10	6KMV-011020-B001	KEY	钥匙	2	
F01-11	6L32-011200-4000-22	KEY CARD	钥匙片	1	
F01-12	6WWV-011150-5100	KEY ROUND LABEL	钥匙圆标	1	
F01-13	6NT1-010010	SEAT CABLE	座垫拉索	1	

消声器总成/MUFFLER COMP



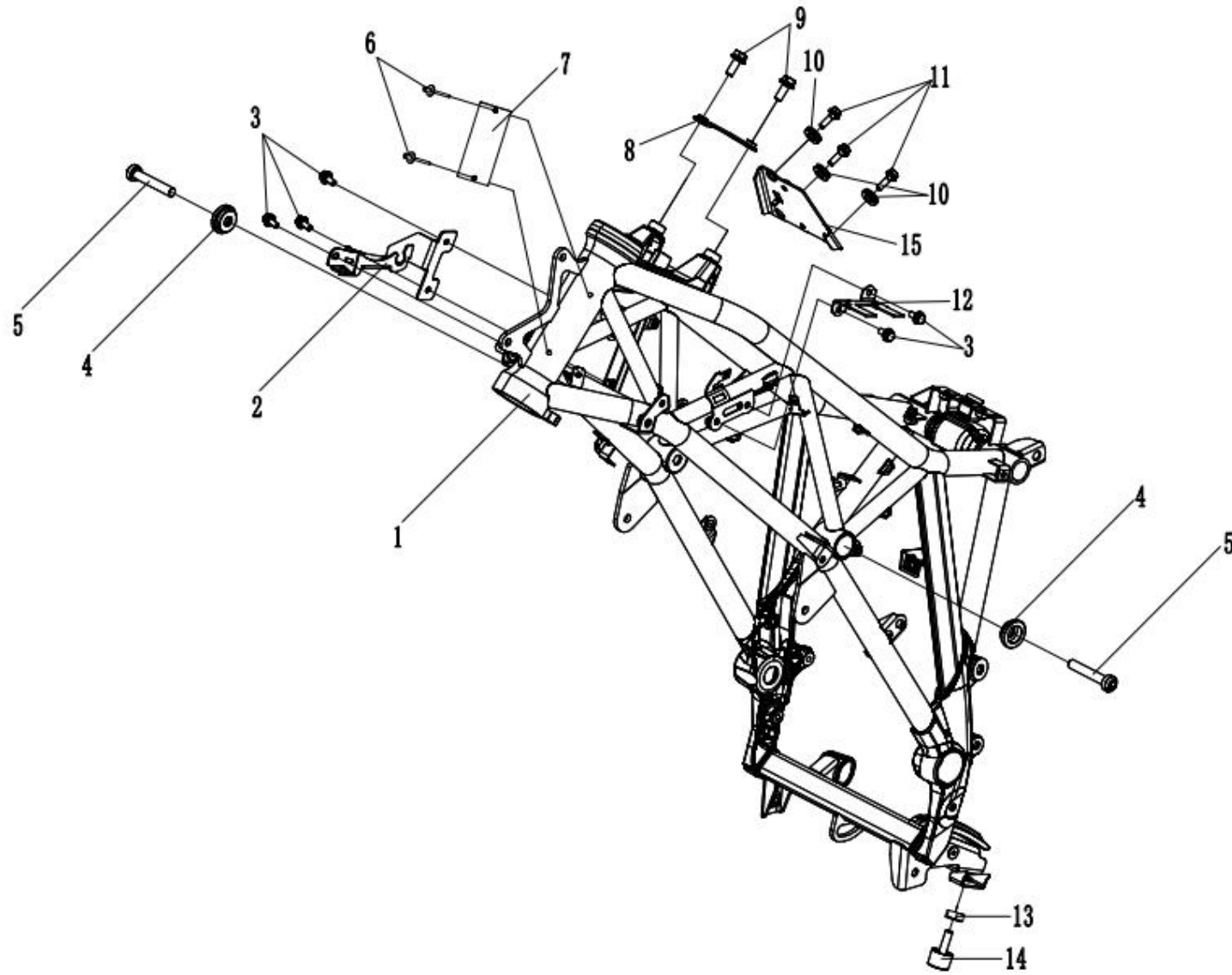
Item No.	Parts Number	Parts Name(EN)	Parts Name(CN)	Qty	Remarks
F02-01	6L30-021300-30000	MUFFLER BODY ASSY	消声器主筒组件	1	
F02-02	6L30-020003	INNER HEX SCREW M8x52	内六角螺钉 M8X52	2	
F02-03	6L30-020006	T-TYPE BUSHING	大T型衬套	4	
F02-04	6L30-020001	DAMPING SLEEVE, MUFFLER	消声器缓冲套	2	
F02-05	6L30-020040	DECO GUARD, MUFFLER	消声器装饰罩组件	1	
F02-06	A010-120003	BOLT M6x16	内六角螺钉M6X16	3	ALT:- 6NQ#-000206-6001
F02-07	6L30-021020	CALMP 2	抱箍组件II	1	
F02-08	6L30-021002	SEAL SLEEVE 2, GRAPHITE	石墨密封套II	1	
F02-09	6L30-021200-30000	EXHAUST PIPE ASSY	二合一排气管组件	1	
F02-10	0HU0-176000	OXYGEN SENSOR	氧传感器	2	
F02-11	6L30-020005	LOCK NUT	锁紧螺母	6	
F02-12	6L30-021001	SEAL SLEEVE 1, GRAPHITE	石墨密封套I	1	
F02-13	6L30-021010	CALMP 1	抱箍组件I	1	
F02-14	6L30-021100-10000	EXHAUST PIPE ASSY, SECOND CYLINDER	后缸排气管组合	1	
F02-15	6GU#-021005-6000	GUARD RUBBER SLEEVE	护罩橡胶套	2	

车架总成1/FRAME ASSY 1



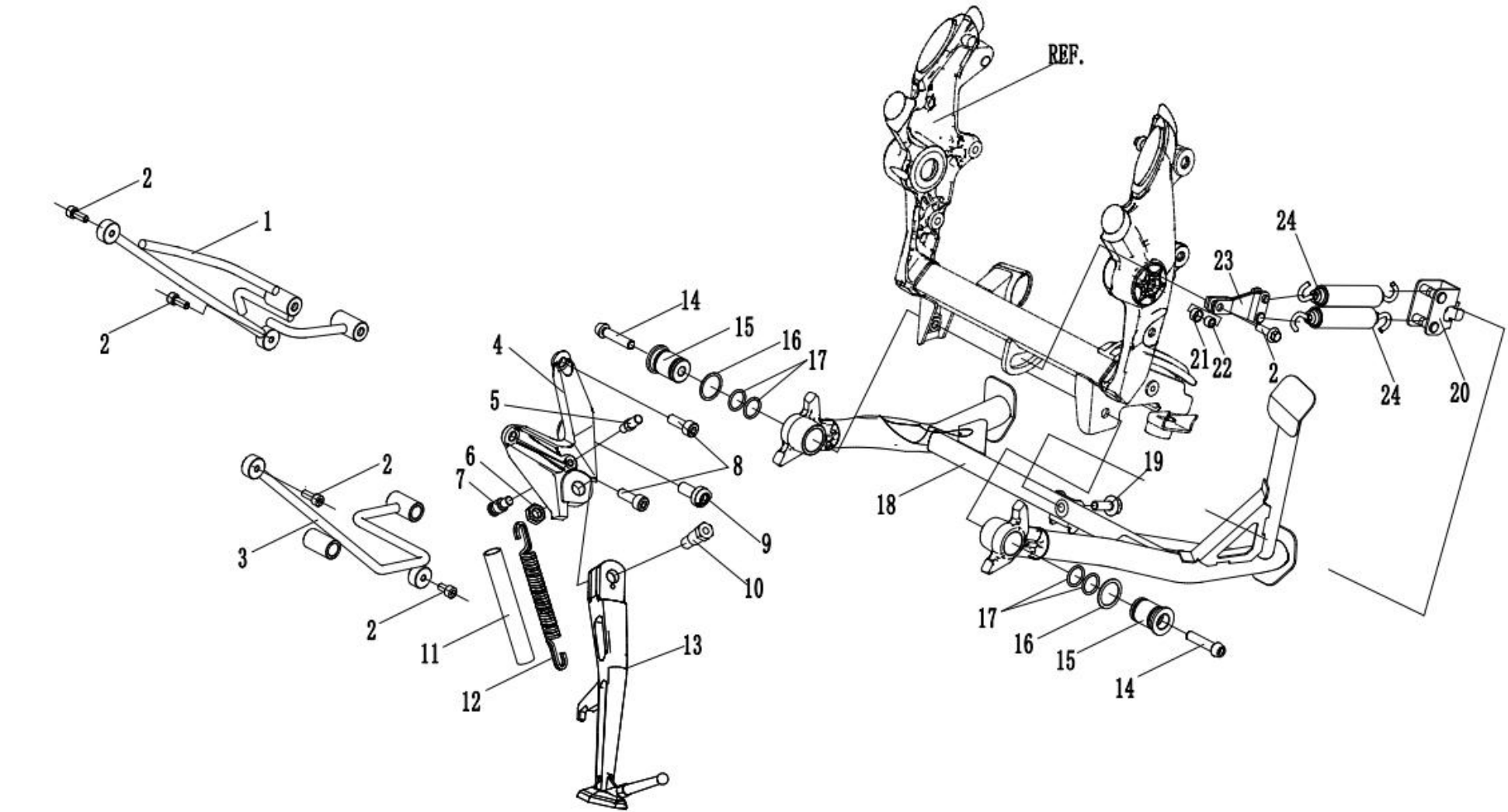
Item No.	Parts Number	Parts Name(EN)	Parts Name(CN)	Qty	Remarks
F03-1-01	6L3V-030400-4200-0BP00	FRONT BRACKET	前支架焊接组合	1	
F03-1-02	6L30-030006	BRACKET, RH POLICE LIGHT	右警灯安装基座	1	
F03-1-03	6L30-030005	BRACKET, LH POLICE LIGHT	左警灯安装基座	1	
F03-1-04	30102-080016810	INNER HEX BOLT	内六角圆柱头螺钉	4	
F03-1-05	5020-031002	RUBBER SLEEVE LINER, FRONT LICENSE BRACKET	前牌照支架橡胶套衬套	2	
F03-1-06	5020-031001	RUBBER SLEEVE, FRONT LICENSE BRACKET	前牌照支架橡胶胶套	2	
F03-1-07	30301-060412	WASHER M6	垫圈 M6	2	
F03-1-08	30202-060110	NUT M6	螺母 M6	2	ALT:- 30204-060810
F03-1-09	30006-060012810	BOLT M6x12	螺栓M6×12	4	ALT:- 30006-060012870
F03-1-10	6L3V-030030-4200	FRONT PANEL LH BRACKET ASSY	前护板左支架组合	1	
F03-1-11	6L30-030040	LH BRACKET, FRONT PANEL	前护板左支架组合	1	
F03-1-12	30102-060016810	SCREW M6X16	螺钉M6×16	2	
F03-1-13	30006-080020810	BOLT M8x20	螺栓 M8X20	2	

车架总成2/FRAME ASSY 2



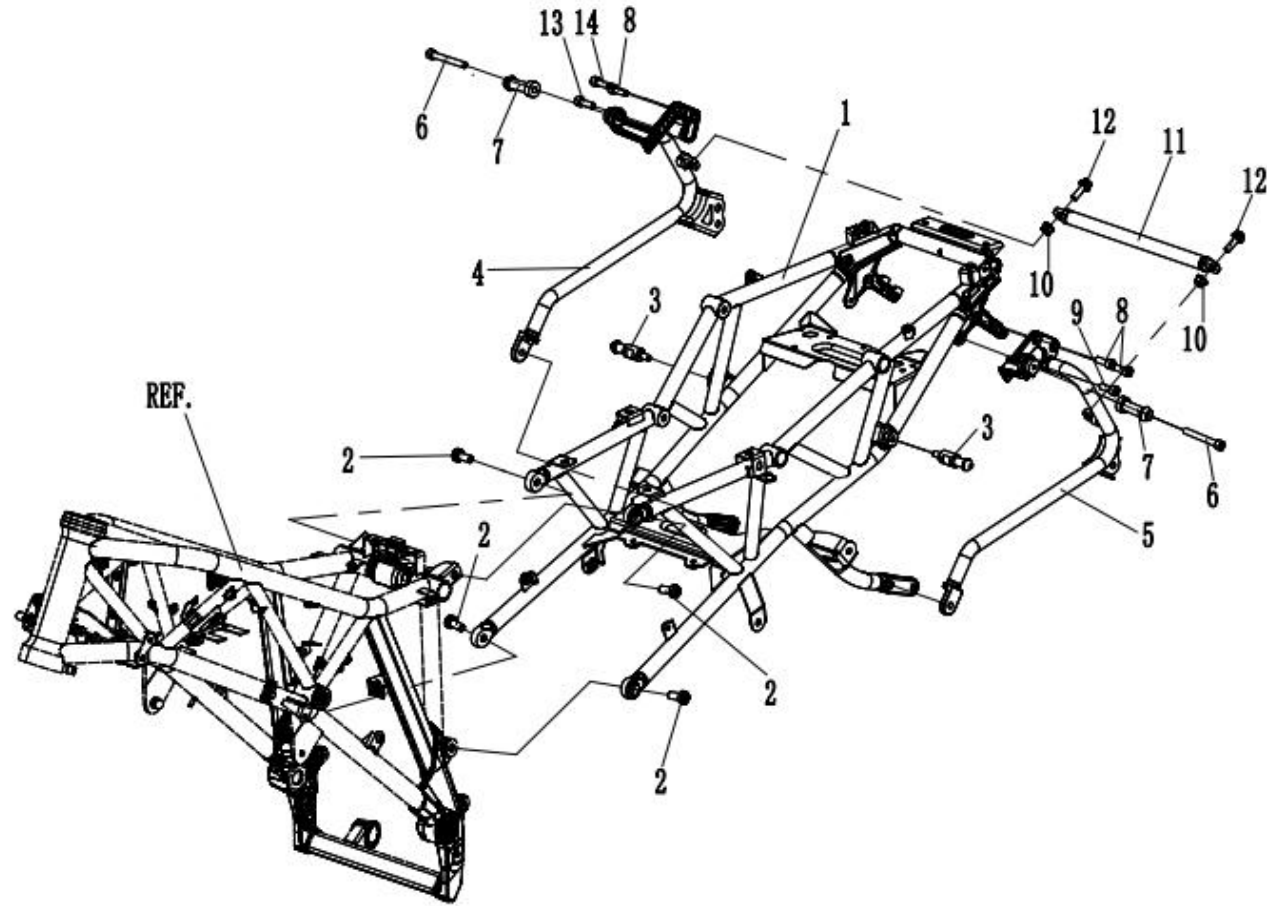
Item No.	Parts Number	Parts Name(EN)	Parts Name(CN)	Qty	Remarks
F03-2-01	6L30-030100-1BP00	MAIN BRACKET ASSY	主支架焊接组合	1	
F03-2-02	6L30-080007	BRACKET, MSC CONTROLLER	MSC控制器支架	1	
F03-2-03	30006-060012810	BOLT M6x12	螺栓M6×12	5	ALT:- 30006-060012870
F03-2-04	6L30-030007	BUSHING	安装衬套	2	
F03-2-05	6L30-030091	BOLT M10x60	悬挂螺栓 M10x60	2	
F03-2-06	30902-0401320	BLIND RIVET M4x13	抽芯铆钉 M4x13	2	
F03-2-07	6FIA-190012	VIN PLATE	车辆铭牌	1	
F03-2-08	6L30-030800	FRONT BRACKET, FUEL TANK PANEL	油箱护板前支架组合	1	
F03-2-09	30006-080035810	BOLT M8x35	螺栓 M8x35	2	
F03-2-10	9010-160101	RUBBER MAT, HEADLIGHT	前照灯胶垫	3	
F03-2-11	30006-060020810	BOLT M6x20	螺栓M6×20	3	ALT:- 30006-060020870
F03-2-12	6L30-030008-10000	BRACKET, CANISTER	炭罐安装支架	1	
F03-2-13	30200-080810	NUT M8	螺母 M8	1	
F03-2-14	6L30-030080	DAMPING MATE ASSY	主撑缓冲垫组合	1	
F03-2-15	6L30-030010	BRACKET, 6D SENSOR	6D传感器安装支架组合	1	

车架总成 3/FRAME ASSY 3



Item No.	Parts Number	Parts Name(EN)	Parts Name(CN)	Qty	Remarks
F03-3-01	6L30-000120-0BP00	BRAKCET, ENGINE RH GUARD	发动机右护罩支架组合	1	
F03-3-02	30102-060016810	SCREW	螺钉M6×16	4	
F03-3-03	6L30-000110-0BP00	BRAKCET, ENGINE LH GUARD	发动机左护罩支架组合	1	
F03-3-04	6L30-000002-0BP00	BRACKET, SIDE BRACEKET	侧支架安装板	1	
F03-3-05	6L30-000004	SWITCH COLUMN, SIDE STAND	边撑熄火开关挂柱	1	
F03-3-06	30208-102810	NUT M10x1.25	螺母 M10x1.25	1	
F03-3-07	6L30-000003	SPRING COLUMN, SIDE BARCKET	侧支架弹簧挂柱	1	
F03-3-08	30102-080025810	SCREW M8x25	螺钉 M8x25	2	
F03-3-09	30102-100030210	SCREW	螺钉	1	
F03-3-10	A000-030006	BOLT, SIDE STAND	侧支架螺栓	1	
F03-3-11	6L30-030071-10000	SPRING SLEEVE, SIDE BRACKET	侧支架弹簧护套	1	
F03-3-12	6L32-030050	SPRING, SIDE BRACKET	侧支架弹簧	1	
F03-3-13	6L32-030500-0BP00	SIDE BRAK CET ASSY	侧支架组合	1	
F03-3-14	30102-080050810	INNER HEX SCREW M8x50	内六角圆柱头螺钉 M8x50	2	ALT:- 30102-080050840
F03-3-15	6L30-030701	BUSHING MAIN BRACKET	主支架衬套	2	
F03-3-16	6L30-030720	SELF-LOCK RETAINER KIT	双叠自锁垫圈组合	2	
F03-3-17	1F30-024014	O-SEAL RING 17×2	O型密封圈	4	
F03-3-18	6L30-030100-1BP00	MAIN BRACKET ASSY	主支架焊接组合	1	
F03-3-19	30006-080025810	BOLT M8x25	螺栓 M8x25	1	
F03-3-20	6L30-030600-0BP00	LOWER BRAK CET ASSY, MAIN BRAK CET	主支架簧下安装支架组合	1	
F03-3-21	6L30-030704	STEEL OUTER SLIDING BUSHING	钢外滑动套	1	
F03-3-22	6L30-030703	COPPER INNER SLIDING BUSHING	铜内滑动套	1	
F03-3-23	6L30-030300-0BP00	UPPER BRAK CET ASSY, MAIN BRAK CET	主支架簧上安装支架组合	1	
F03-3-24	6L30-030710	SPRING KIT, MAIN BRACKET	主支架弹簧组合	2	

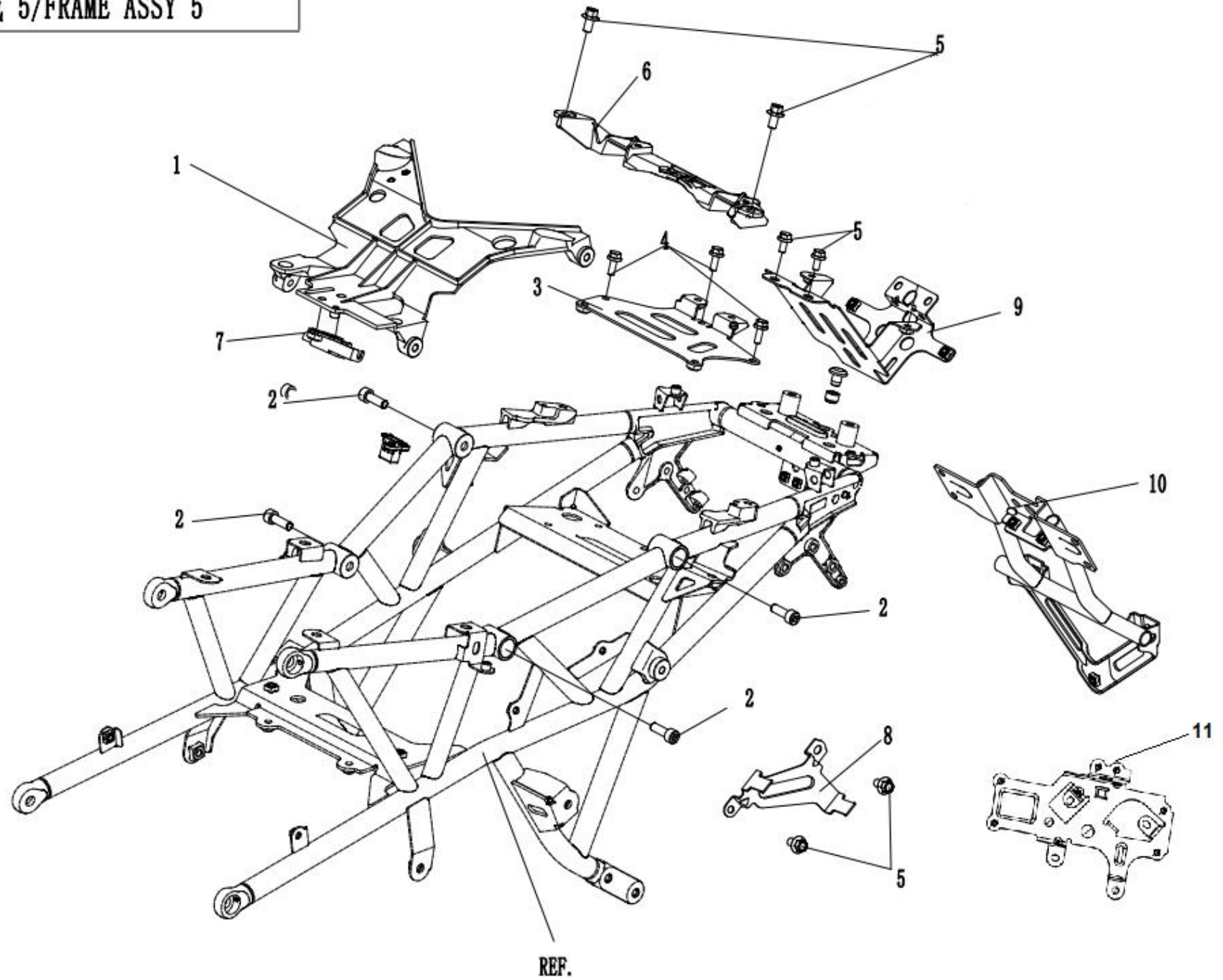
车架总成 4/FAME ASSY 4



Item No.	Parts Number	Parts Name(EN)	Parts Name(CN)	Qty	Remarks
F03-4-01	6L3V-032000-4200-0BP00	REAR FRAME ASSY	副车架焊接组合	1	
F03-4-02	6L30-030092	BOLT M10x22	主副车架固定螺栓 M10x22	4	
F03-4-03	6L30-220002	SUPPORTOR, SIDE BOX	边箱辅助支撑轴	2	
F03-4-04	6L30-220200-1BP00	BRACKET ASSY, RH SIDE BOX	右边箱支架组件	1	
F03-4-05	6L30-220100-1BP00	BRACKET ASSY, LH SIDE BOX	左边箱支架组件	1	
F03-4-06	30102-080060810	SCREW M8x60	螺钉 M8x60	2	
F03-4-07	6L30-220001	SHAFT, SIDE BOX LOCK TONGUE	边箱锁舌轴	2	
F03-4-08	30102-080025810	SCREW M8x25	螺钉 M8x25	3	
F03-4-09	30102-080020810	SCREW M8x20	螺钉 M8x20	1	
F03-4-10	30204-080810	NUT M8	螺母 M8	2	
F03-4-11	6L30-220300-0BP00	RERA CONNECTING BRAK CET ASSY	后连接支架组合	1	
F03-4-12	30006-080025810	BOLT M8x25	螺栓 M8x25	2	
F03-4-13	30102-080030810	SCREW M8x30	螺钉 M8x30	1	
F03-4-14	30102-080050810	INNER HEX SCREW M8x50	内六角圆柱头螺钉 M8x50	1	ALT:- 30102-080050840

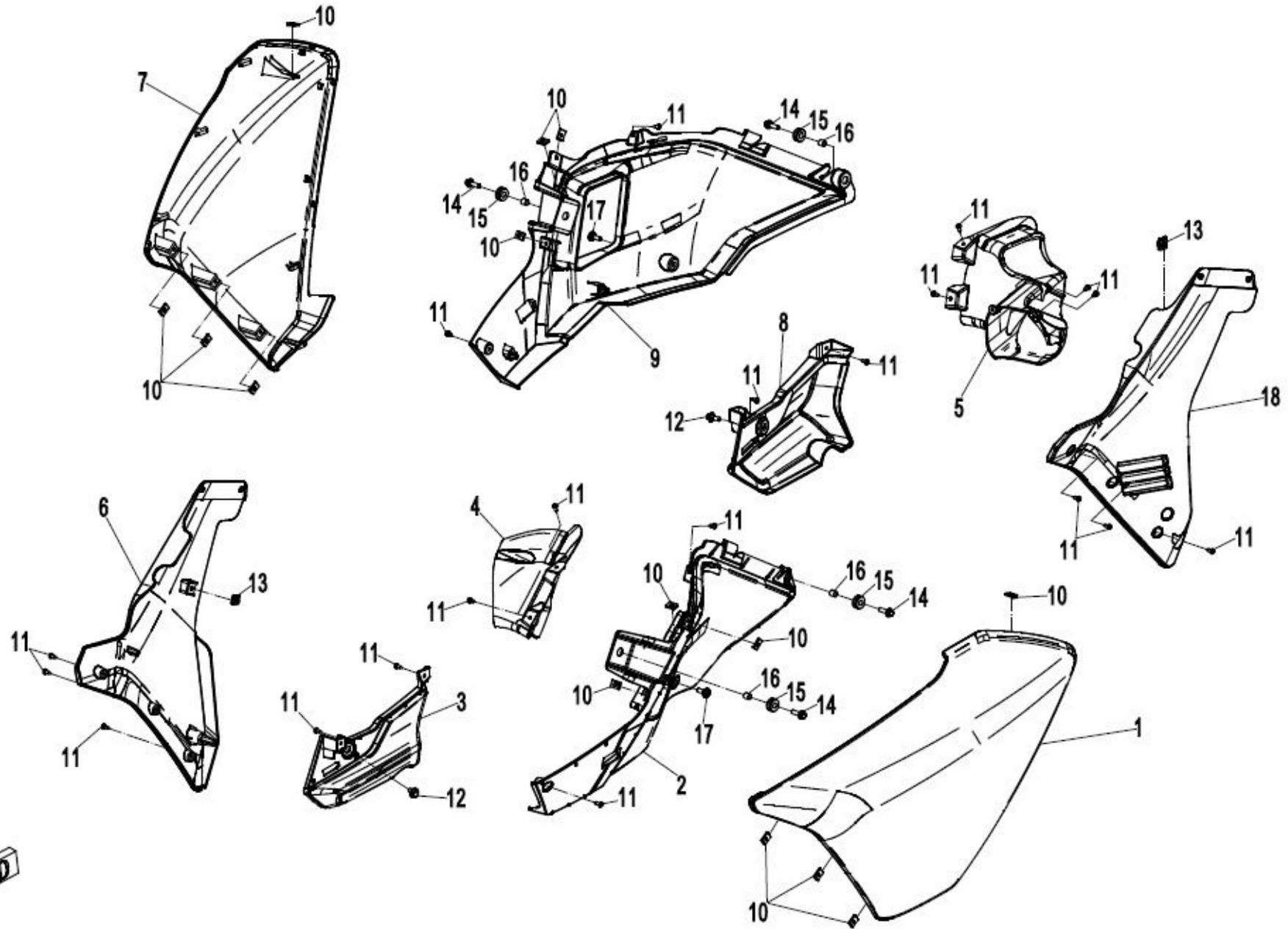
F03-5 车架总成5 FRAME ASSY5

车架总成 5/FAME ASSY 5



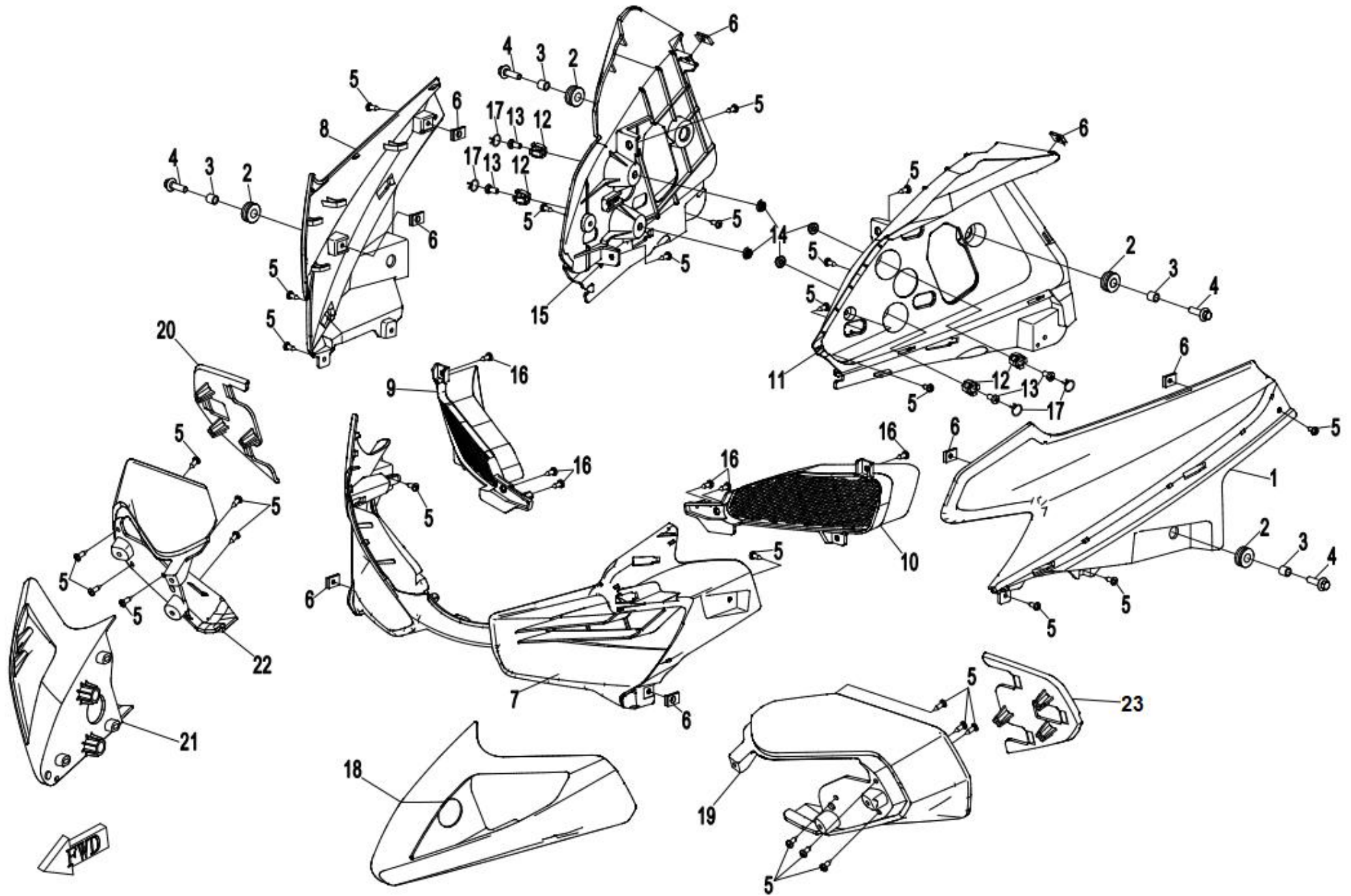
Item No.	Parts Number	Parts Name(EN)	Parts Name(CN)	Qty	Remarks
F03-5-01	6L32-030009	BRACKET, SEAT LOCK	座垫锁安装板	1	
F03-5-02	30102-080025810	SCREW M8x25	螺钉 M8x25	4	
F03-5-03	6L32-030140	BRACKET ASSY, ECU	ECU安装支架组合	1	
F03-5-04	30006-060016810	BOLT M6x16	螺栓 M6x16	9	ALT:- 30006-060016870
F03-5-05	30006-060012810	BOLT M6x12	螺栓M6x12	8	ALT:- 30006-060012870
F03-5-06	6L32-030001	LIMIT SUPPORTER, VICE SEAT	副座垫限位支撑座	1	
F03-5-07	A000-010600	LOCK SEAT, SEAT	座垫锁座组合	1	
F03-5-08	6L3V-030002-4200	T-BOX RH BRACKET	T-BOX右安装支架	1	
F03-5-09	6L32-030020	BRACKET, POLICE IMPLEMENT BATTERY	警具电瓶安装支架组合	1	
F03-5-10	6L3V-030200-4200	REAR FENDER BRACKET ASSY	后挡泥安装支架组件	1	
F03-5-11	6L3V-030050-4200	SOUND AMPLIFIER BRACKET ASSY	音响功放安装支架组合	1	

塑料件 1 / PLASTICS 1



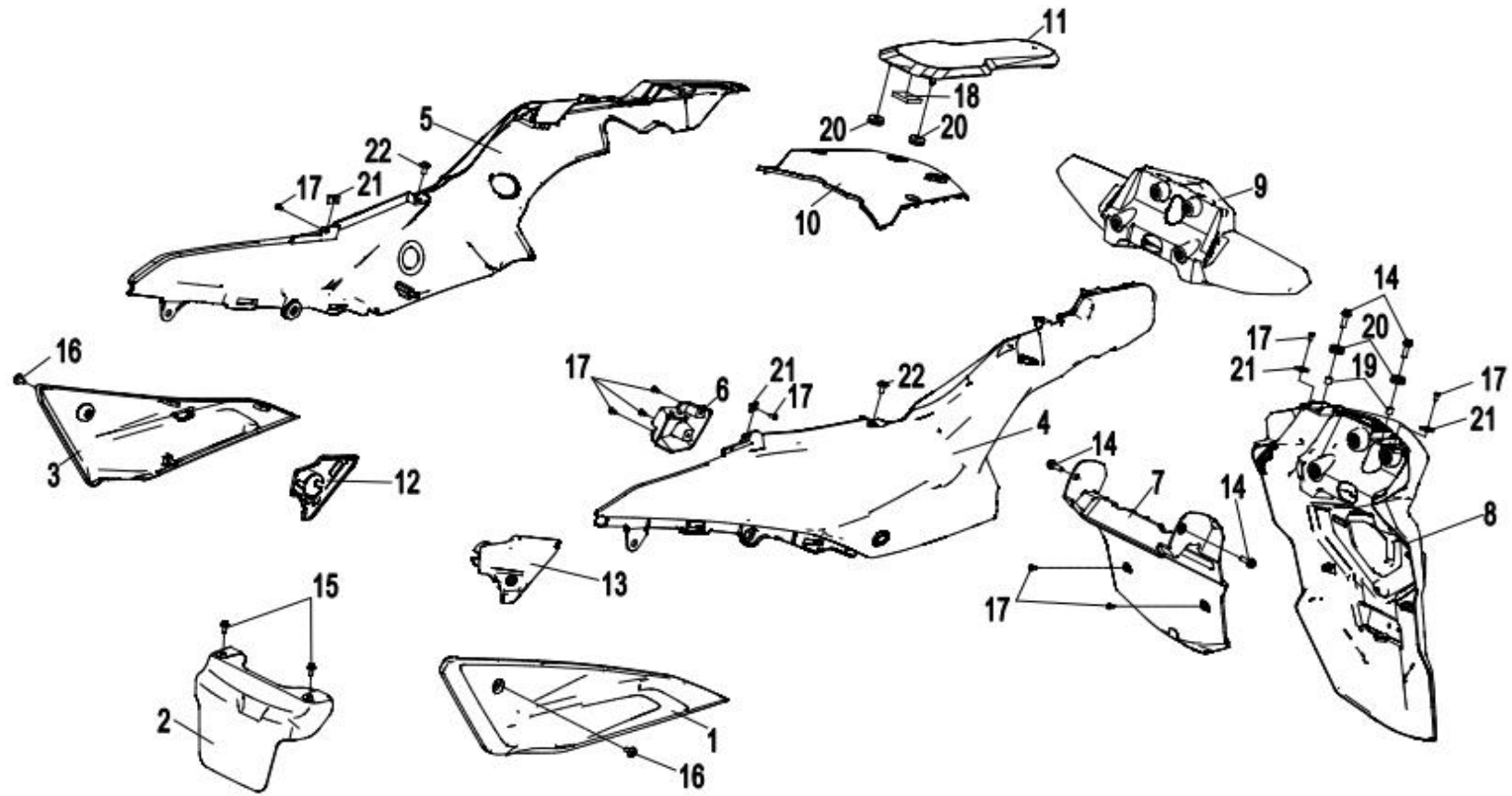
Item No.	Parts Number	Parts Name(EN)	Parts Name(CN)	Qty	Remarks
F04-1-01	6L30-041301-0VS00	FRONT LH DECO GUARD (NEBULA WHITE)	前左装饰罩_星耀白	1	
F04-1-01	6L30-041301-0ET00	FRONT LH DECO GUARD (TWILIGHT BLUE)	前左装饰罩	1	
F04-1-02	6L30-040401-0VS00	FRONT LH GUARD (NEBULA WHITE)	前侧左护罩_星耀白	1	
F04-1-02	6L30-040401-0BT00	FRONT LH GUARD (TWILIGHT BLUE)	前侧左护罩_岩石银黑	1	
F04-1-03	6L30-041501	GUARD, FRONT RH DEFLECTOR	前左导流罩	1	
F04-1-04	6L30-040402	LH DEFLECTOR GUARD, FAN	风扇左导流罩	1	
F04-1-05	6L30-040502	RH DEFLECTOR GUARD, FAN	风扇右导流罩	1	
F04-1-06	6L30-041302	FRONT LH INNER GUARD	前左内罩	1	
F04-1-07	6L30-041401-0VS00	FRONT RH DECO GUARD (NEBULA WHITE)	前右装饰罩_星耀白	1	
F04-1-07	6L30-041401-0ET00	FRONT RH DECO GUARD (TWILIGHT BLUE)	前右装饰罩	1	
F04-1-08	6L30-041601	GUARD, FRONT LH DEFLECTOR	前右导流罩	1	
F04-1-09	6L30-040501-0VS00	FRONT RH GUARD (NEBULA WHITE)	前侧右护罩_星耀白	1	
F04-1-09	6L30-040501-0BT00	FRONT RH GUARD (TWILIGHT BLUE)	前侧右护罩_岩石银黑	1	
F04-1-10	8010-000002	TOOL	夹板ST4.2	14	
F04-1-11	30110-421130010	SCREW ST4.2x13	自攻螺钉 ST4.2X13	20	
F04-1-12	6L30-050020	SCREW KIT M5x12	组合台阶螺钉 M5x12	2	
F04-1-13	8030-040800-00001	NUT CLIP M6	M6螺母夹	2	
F04-1-14	30006-060020810	BOLT M6x20	螺栓M6×20	4	ALT:- 30006-060020870
F04-1-15	6090-040302	RUBBER DAMPER	缓冲胶套	4	
F04-1-16	6090-040303	BUSHING	衬套	4	
F04-1-17	A000-060002	SCREW, CHAIN GUARD	链条护卡安装螺钉	2	
F04-1-18	6L30-041402	FRONT RH INNER GUARD	前右内罩	1	

塑料件2 / PLASTICS 2



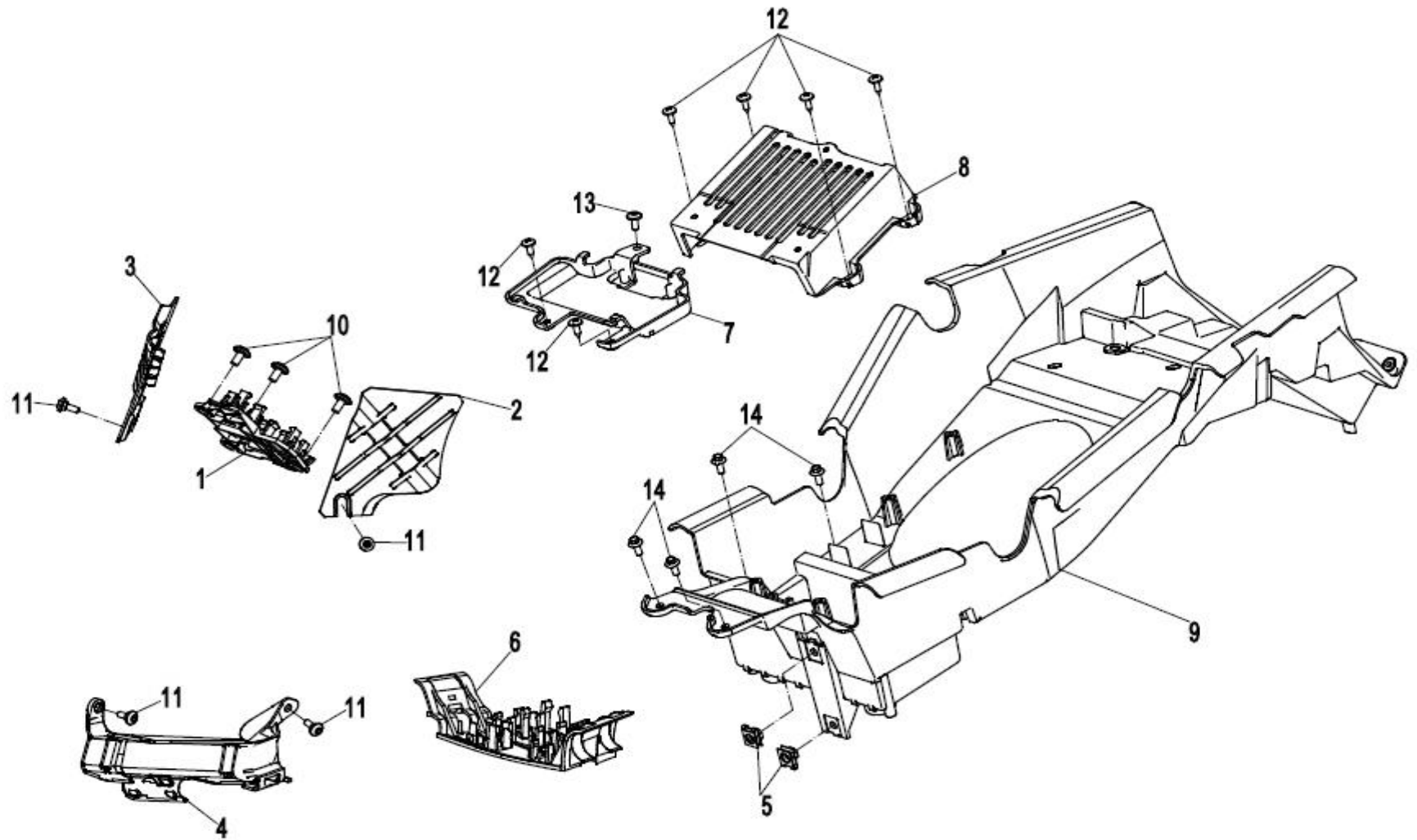
Item No.	Parts Number	Parts Name(EN)	Parts Name(CN)	Qty	Remarks
F04-2-01	6L30-042701-0VS00	FRONT LH UPPER DECO PLATE (NEBULA WHITE)	前左上装饰板	1	
F04-2-01	6L30-042701-0BT00	FRONT LH UPPER DECO PLATE (TWILIGHT BLUE)	前左上装饰板_岩石银黑	1	
F04-2-02	6090-040302	RUBBER DAMPER	缓冲胶套	4	
F04-2-03	6090-040303	BUSHING	衬套	4	
F04-2-04	30006-060020810	BOLT M6x20	螺栓M6×20	4	ALT:- 30006-060020870
F04-2-05	30110-421130010	SCREW ST4.2x13	自攻螺钉 ST4.2X13	28	
F04-2-06	8010-000002	TOOL ST4.2	夹板ST4.2	8	
F04-2-07	6L32-040101	FRONT DECO PLATE	前装饰板	1	
F04-2-08	6L30-042801-0VS00	FRONT RH UPPER DECO PLATE (NEBULA WHITE)	前右上装饰板	1	
F04-2-08	6L30-042801-0BT00	FRONT RH UPPER DECO PLATE (TWILIGHT BLUE)	前右上装饰板_岩石银黑	1	
F04-2-09	6L30-040103	RH AIR INTAKE GRID, AIR FILTER	空滤器右进气隔栅	1	
F04-2-10	6L30-040102	LH AIR INTAKE GRID, AIR FILTER	空滤器左进气隔栅	1	
F04-2-11	6L30-040602	LH BACK PLATE, REAR VIEW MIRROR	后视镜左背板	1	
F04-2-12	A010-041701	CLAMP, SPRING	弹簧卡箍	4	
F04-2-13	30105-060012440	SCREW M6x12	螺钉 M6x12	4	ALT:- 30105-060012410
F04-2-14	30200-060810	NUT M6	螺母 M6	4	
F04-2-15	6L30-040702	RH BACK PLATE, REAR VIEW MIRROR	后视镜右背板	1	
F04-2-16	30110-420160010	SCREW ST4.2x16	自攻螺钉 ST4.2x16	6	
F04-2-17	6NTG-040102	CLAMP	环箍	4	
F04-2-18	6L30-040601-1VS00	LH GUARD, TURN LIGHT (NEBULA WHITE)	转向灯左护罩_星耀白	1	
F04-2-18	6L30-040601-1ET00	LH GUARD, TURN LIGHT (TWILIGHT BLUE)	转向灯左护罩	1	
F04-2-19	6L30-040604-0VS00	LH GUARD, REAR VIEW MIRROR (NEBULA WHITE)	后视镜左护罩_星耀白	1	
F04-2-19	6L30-040604-0ET00	LH GUARD, REAR VIEW MIRROR (TWILIGHT BLUE)	后视镜左护罩	1	
F04-2-20	6L30-040703	RH CONNECTING PLATE, REAR VIEW MIRROR	后视镜右连接板	1	
F04-2-21	6L30-040701-1VS00	RH GUARD, TURN LIGHT (NEBULA WHITE)	转向灯右护罩_星耀白	1	
F04-2-21	6L30-040701-1ET00	RH GUARD, TURN LIGHT (TWILIGHT BLUE)	转向灯右护罩	1	
F04-2-22	6L30-040704-0VS00	RH GUARD, REAR VIEW MIRROR (NEBULA WHITE)	后视镜右护罩_星耀白	1	
F04-2-22	6L30-040704-0ET00	RH GUARD, REAR VIEW MIRROR (TWILIGHT BLUE)	后视镜右护罩	1	
F04-2-23	6L30-040603	LH CONNECTING PLATE, REAR VIEW MIRROR	后视镜左连接板	1	

塑料件 3 / PLASTICS 3



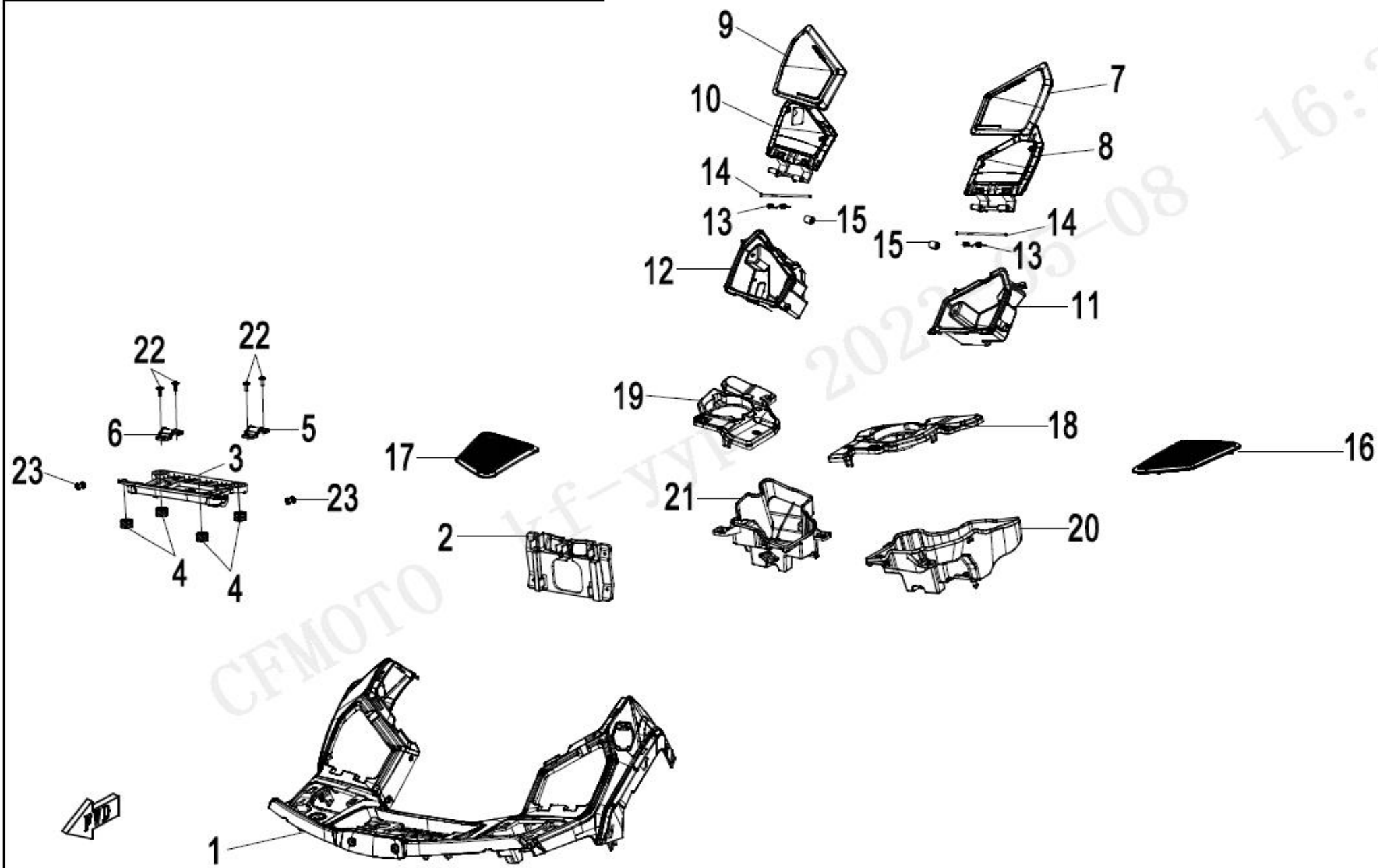
Item No.	Parts Number	Parts Name(EN)	Parts Name(CN)	Qty	Remarks
F04-3-01	6L30-042101-0BT00	LH PANEL, FRAME	车架左护板	1	
F04-3-02	6L30-043301	LOWER FENDER	下挡泥板	1	
F04-3-03	6L30-042201-0BT00	RH PANEL, FRAME	车架右护板	1	
F04-3-04	6L32-042501-0ET00	REAR LH PANEL (TWILIGHT BLUE)	后左护板	1	
F04-3-04	6L32-042501-0VS00	REAR LH PANEL (NEBULA WHITE)	后左护板_星耀白	1	
F04-3-05	6L32-042601-0ET00	REAR RH PANEL (TWILIGHT BLUE)	后右护板	1	
F04-3-05	6L32-042601-0VS00	REAR RH PANEL (NEBULA WHITE)	后右护板_星耀白	1	
F04-3-06	6L30-042503	BRACKET, SEAT LOCK	座垫锁座	1	
F04-3-07	6L3V-043103-4200	REAR FENDER REINFORCENMENT PLATE	后挡泥板加强板	1	
F04-3-08	6L3V-043101-4200	REAR FENDER	后挡泥板	1	
F04-3-09	6L30-043102-10000	DECO PLATE, TAIL LIGHT	后尾灯装饰板	1	
F04-3-10	6L32-042401-0VS00	MIDDLE CONNECTING BRACKET, REAR PANEL (NEBULA WHITE)	后护板中间连接板_星耀白	1	
F04-3-10	6L32-042401-0ET00	MIDDLE BRAK CET, REAR PANEL (TWILIGHT BLUE)	后护板中间连接板	1	
F04-3-11	6L32-042402	DECO GUARD, REAR ARMREST	后扶手装饰罩	1	
F04-3-12	6L32-044005-10000	PANEL, RH FOOTREST	右脚蹬护板	1	
F04-3-13	6L32-044004	PANEL, LH FOOTREST	左脚蹬护板	1	
F04-3-14	0010-023010-0010	BOLT M6x20	螺栓 M6x20	11	
F04-3-15	6NTA-040202	INNER HEX SCREW M5x12	内六角螺钉M5×12	6	
F04-3-16	A010-120003	BOLT M6x16	内六角螺钉M6X16	4	ALT:- 6NQ#-000206-6001
F04-3-17	30110-421130010	SCREW ST4.2x13	自攻螺钉 ST4.2X13	10	
F04-3-18	6L30-020005	LOCK NUT	锁紧螺母	4	
F04-3-19	6090-040303	BUSHING	衬套	8	
F04-3-20	6090-040302	RUBBER DAMPER	缓冲胶套	8	
F04-3-21	8010-000002	TOOL ST4.2	夹板ST4.2	4	
F04-3-22	A000-040702	INNER HEX SCREW M6x12	内六角螺钉M6×12	2	ALT:- 6KM#-040702-8000

塑料件 4 / PLASTICS 4



Item No.	Parts Number	Parts Name(EN)	Parts Name(CN)	Qty	Remarks
F04-4-01	6L30-044001	BRACKET, FRONT CONNECTOR	前部插接件安装板	1	
F04-4-02	6L30-044002	LH PRESS PLATE, FRAME	车架立管左盖板	1	
F04-4-03	6L30-044003	RH PRESS PLATE, FRAME	车架立管右盖板	1	
F04-4-04	6L30-044011	LOCK PLATE, MAIN CABLE	主电缆固定板	1	
F04-4-05	8030-040800-00001	NUT CLIP M6	M6螺母夹	2	
F04-4-06	6L30-043901	BRACKET, REAR CONNECTOR	后部插接件安装板	1	
F04-4-07	6L32-043002	BLOCK, BATTERY	蓄电池压块	1	
F04-4-08	6L30-043001	ECU GUARD	ECU护罩	1	
F04-4-09	6L30-043201-20000	REAR SKID PLATE	后底板	1	
F04-4-10	A010-120003	BOLT M6x16	内六角螺钉M6X16	3	ALT:- 6NQ#-000206-6001
F04-4-11	6L30-050020	SCREW KIT M5x12	组合台阶螺钉 M5x12	4	
F04-4-12	30110-421130010	SCREW ST4.2x13	自攻螺钉 ST4.2X13	6	
F04-4-13	30006-060012810	BOLT M6x12	螺栓M6×12	1	ALT:- 30006-060012870
F04-4-14	30006-060016810	BOLT M6x16	螺栓 M6x16	4	ALT:- 30006-060016870

塑料件 V/PLASTICS V

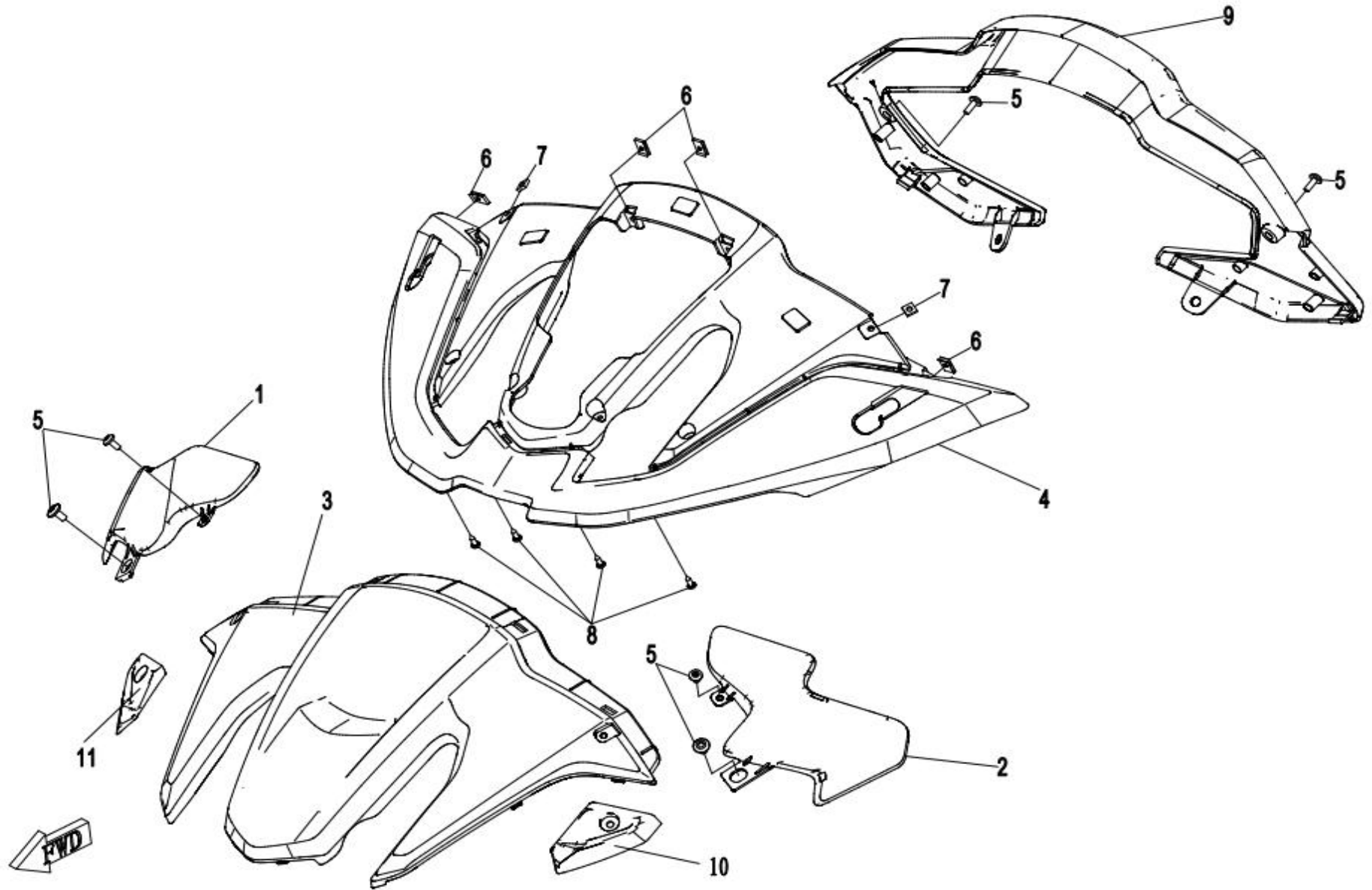


CFMOTO

2022-08 16:23

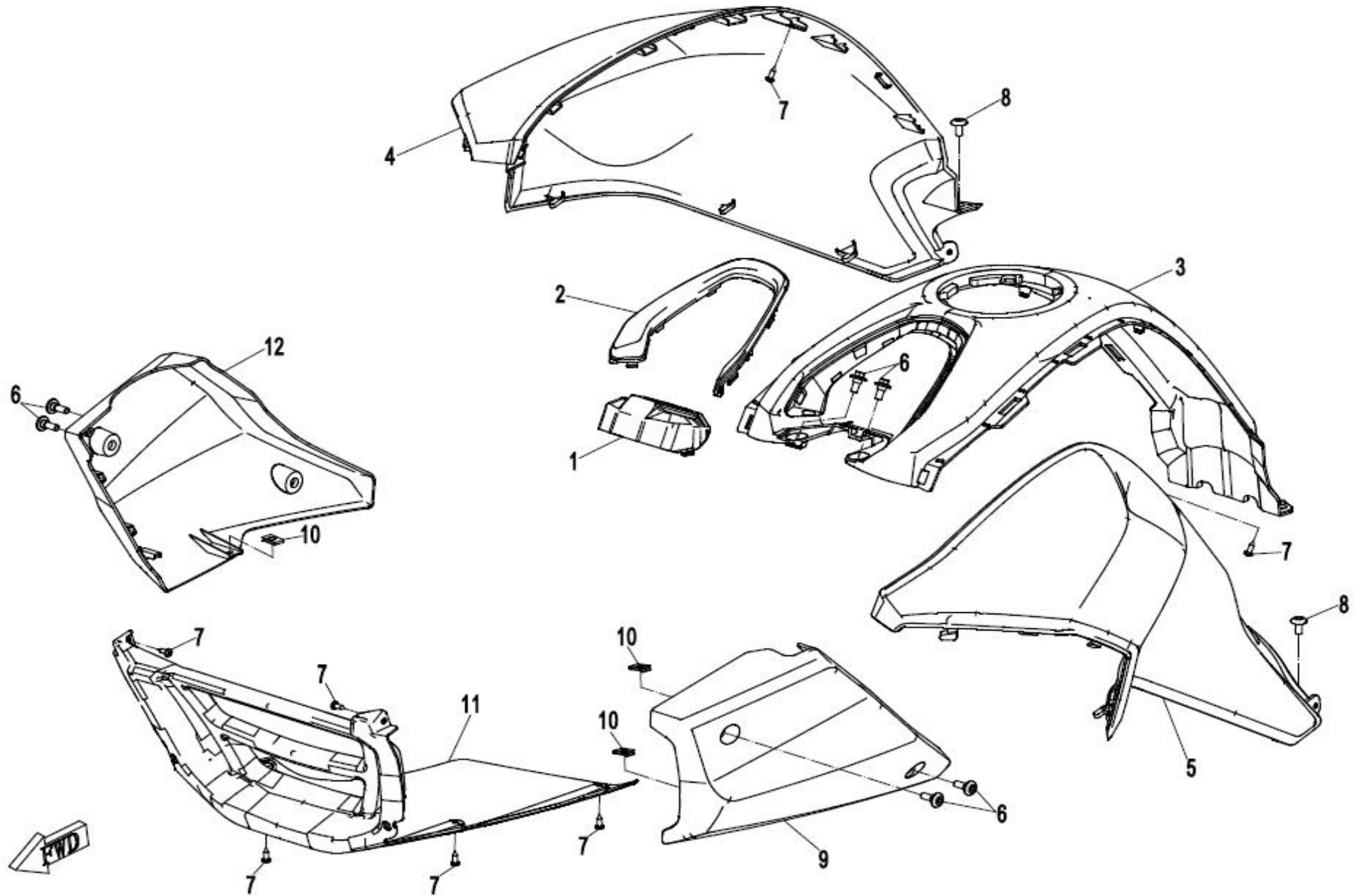
Item No.	Parts Number	Parts Name(EN)	Parts Name(CN)	Qty	Remarks
F04-5-01	6L3V-040202-4200	DASHBOARD PANEL	仪表板	1	
F04-5-02	6L3V-043001-4200	BCM BRACKET	BCM安装支架	1	
F04-5-03	6L3V-040304-4200	DASHBOARD BRACKET	仪表安装支架	1	
F04-5-04	6L3V-040305-4200	DASHBOARD RUBBER DAMPER	仪表缓冲橡胶垫	4	
F04-5-05	6L3V-040306-4200	DAMPER LH BRACKET	阻尼左安装支架	1	
F04-5-06	6L3V-040307-4200	DAMPER RH BRACKET	阻尼右安装支架	1	
F04-5-07	6L3V-041101-4201	LH STORAGE BOX COVER OUTER PLATE	左置物盒盖外板	1	
F04-5-08	6L3V-041102-4200	LH TRUNK COVER INNER PLATE	左置物盒盖内板	1	
F04-5-09	6L3V-041201-4201	RH STORAGE BOX COVER OUTER PLATE	右置物盒盖外板	1	
F04-5-10	6L3V-041202-4200	RH TRUNK COVER OUTER PLATE	右置物盒盖内板	1	
F04-5-11	6L3V-041103-4200	LH TRUNK	左置物盒	1	
F04-5-12	6L3V-041203-4200	RH TRUNK	右置物盒	1	
F04-5-13	6L3V-041106-4200	TRUNK SPRING	置物盒弹簧	2	
F04-5-14	6L3V-041108-4200	TRUNK RORATING SHAFT	置物盒旋转轴	2	
F04-5-15	6L3V-041111-4200	TRUNK DAMPER	置物盒阻尼	2	
F04-5-16	6L3V-046010-4200	SOUND LH GRID ASSY	音响左网格总成	1	
F04-5-17	6L3V-046020-4200	SOUND RH GRID ASSY	音响右网格总成	1	
F04-5-18	6L3V-045001-4201	SOUND LH UPPER HOUSING	音响左上壳	1	
F04-5-19	6L3V-045002-4201	SOUND RH UPPER HOUSING	音响右上壳	1	
F04-5-20	6L3V-045003-4201	SOUND LH LOWER HOUSING	音响左下壳	1	
F04-5-21	6L3V-045004-4201	SOUND RH LOWER HOUSING	音响右下壳	1	
F04-5-23	6L3V-040308-4200	DASHBOARD BRACKET DAMPING	仪表安装支架阻尼	2	

塑料件 6 / PLASTICS 6



Item No.	Parts Number	Parts Name(EN)	Parts Name(CN)	Qty	Remarks
F04-6-01	6L30-043702-10000	RH VENTILATION PLATE	右导风板	1	
F04-6-02	6L30-043701-10000	LH VENTILATION PLATE	左导风板	1	
F04-6-03	6L30-040301-0VS00	DECO PLATE, DASHBOARD UPPER COVER (NEBULA WHITE)	仪表板上盖装饰板_星耀白	1	
F04-6-03	6L30-040301-0ET00	DECO PLATE, DASHBOARD UPPER COVER (TWILIGHT BLUE)	仪表板上盖装饰板	1	
F04-6-04	6L30-040302-0VS00	DASHBOARD UPPER COVER (NEBULA WHITE)	仪表板上盖_星耀白	1	
F04-6-04	6L30-040302-0ET00	UPPER COVER, DASHBOARD (TWILIGHT BLUE)	仪表板上盖	1	
F04-6-05	6NTA-040202	INNER HEX SCREW M5x12	内六角螺钉M5×12	6	
F04-6-06	8010-000002	TOOL ST4.2	夹板ST4.2	4	
F04-6-07	6KJ0-040402	NUT M5	方形螺母M5	2	
F04-6-08	30110-421130010	SCREW ST4.2x13	自攻螺钉 ST4.2X13	4	
F04-6-09	6L30-040201	DASHBOARD GUARD	仪表面罩	1	
F04-6-10	6L32-043502	LH DECO GUARD, POLICE LIGHT	警灯左装饰罩	1	
F04-6-11	6L32-043503	RH DECO GUARD, POLICE LIGHT	警灯右装饰罩	1	

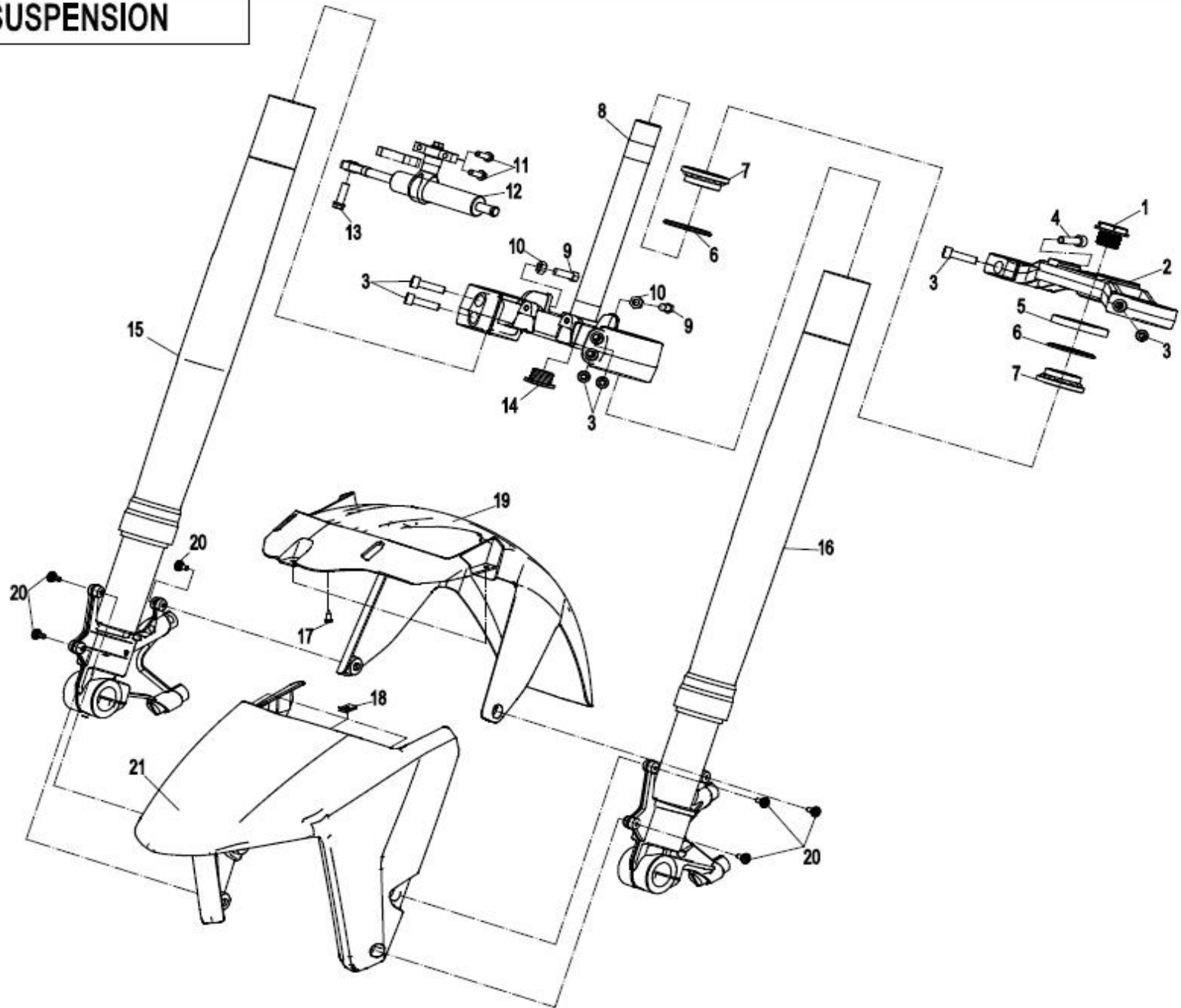
塑料件 7 / PLASTICS 7



Item No.	Parts Number	Parts Name(EN)	Parts Name(CN)	Qty	Remarks
F04-7-01	6L32-041003	DECO COVER, POWER LOCK	电源锁装饰盖	1	ALT:- 6L32-041003-10000
F04-7-02	6L30-041002-0VR00	DECO STRAP, FUEL TANK UPPER GUARD	油箱上罩装饰条	1	
F04-7-03	6L30-041001-1BT00	UPPER GUARD, FUEL TANK	油箱上罩	1	
F04-7-04	6L30-040901-0VS00	RH DECO GUARD, FUEL TANK (NEBULA WHITE)	油箱右装饰罩_星耀白	1	
F04-7-04	6L30-040901-0ET00	RH DECO GUARD, FUEL TANK (TWILIGHT BLUE)	油箱右装饰罩	1	
F04-7-05	6L30-040801-0VS00	LH DECO GUARD, FUEL TANK (NEBULA WHITE)	油箱左装饰罩_星耀白	1	
F04-7-05	6L30-040801-0ET00	LH DECO GUARD, FUEL TANK (TWILIGHT BLUE)	油箱左装饰罩	1	
F04-7-06	A000-060002	SCREW, CHAIN GUARD	链条护卡安装螺钉	6	
F04-7-07	30110-421130010	SCREW ST4.2x13	自攻螺钉 ST4.2X13	7	
F04-7-08	A000-040702	INNER HEX SCREW M6x12	内六角螺钉M6×12	2	ALT:- 6KM#-040702-8000
F04-7-09	6L30-041701-0BT00	LH PANEL, ENGINE	发动机左护板_岩石银黑	1	
F04-7-10	8010-000002	TOOL ST4.2	夹板ST4.2	3	
F04-7-11	6L30-041901-0BT00	MIDDLE PANEL, ENGINE	发动机中护板_岩石银黑	1	
F04-7-12	6L30-041801-0BT00	RH PANEL, ENGINE	发动机右护板_岩石银黑	1	

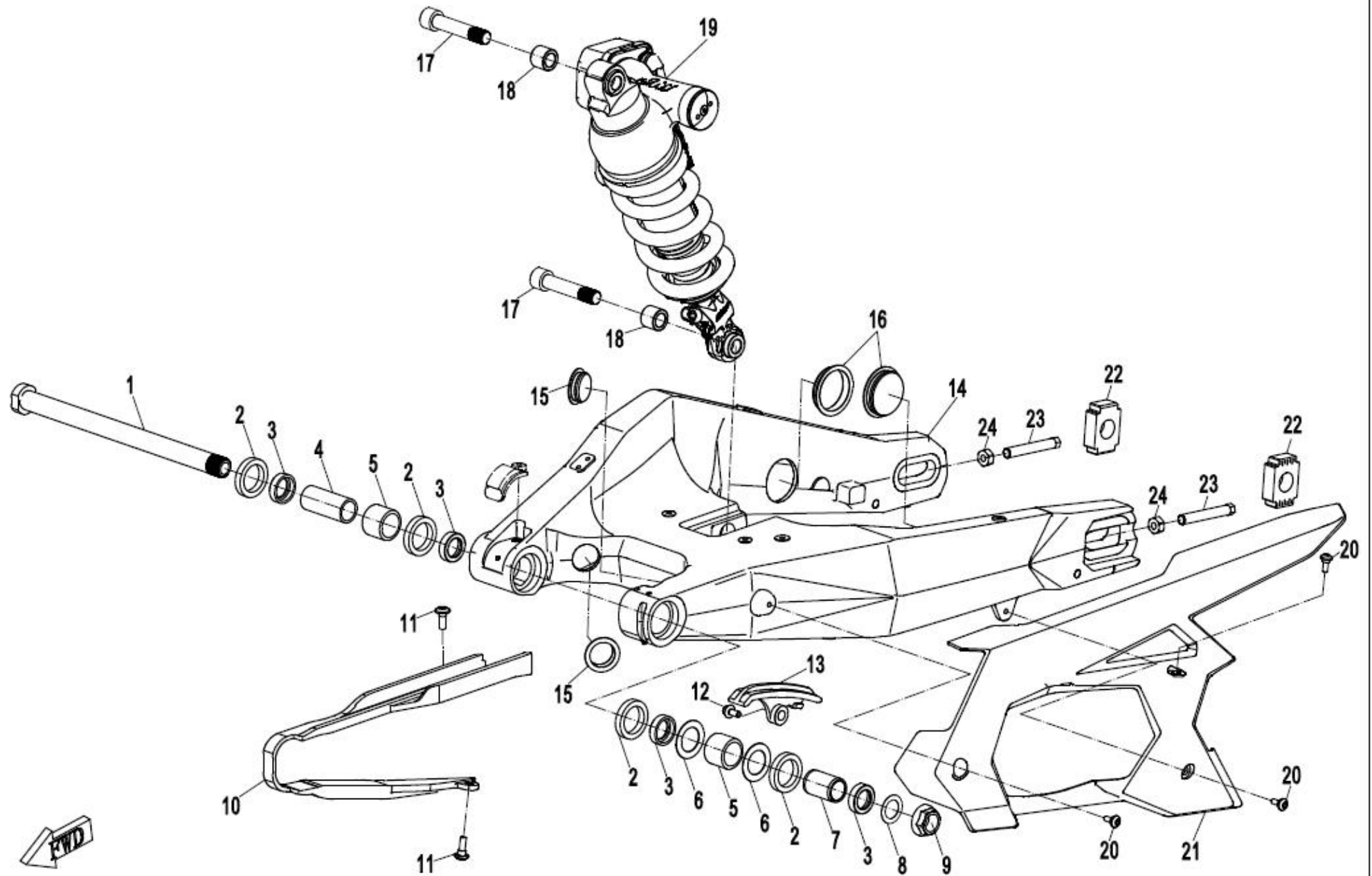
F05 前悬架 FRONT SUSPENSION

前悬架/Front Suspension



Item No.	Parts Number	Parts Name(EN)	Parts Name(CN)	Qty	Remarks
F05-01	6L30-050002	LOCK SCREW, UPPER TRIPLE CLAMP	上联板紧固螺钉	1	
F05-02	6L32-050001	UPPER TRIPLE CLAMP	上联板	1	
F05-03	A000-050018	INNER HEX SCREW M8x35	内六角圆锥头螺钉M8X35	6	
F05-04	6L30-080013	LOCK BOLT, REAR CALIPER	后卡钳固定螺栓	1	
F05-05	6L30-050003	DUST-PROOF COVER	防尘盖	1	
F05-06	6L30-050010	DUST-PROOF RING	防尘圈组件	2	
F05-07	6L30-050200	STEERING BEARING ASSY	转向轴承组合	2	
F05-08	6L32-1503A0	LOWER TRIPLE CLAMP ASSY	前叉管下联板组件	1	
F05-09	6L30-050303	STEERING LIMIT BOLT	转向限位螺栓	2	
F05-10	30200-080810	NUT M8	螺母 M8	2	
F05-11	30006-060020810	BOLT M6x20	螺栓M6×20	2	ALT:- 30006-060020870
F05-12	6L30-050100-10000	RESISTANCE ROD ASSY	阻尼杆组件	1	
F05-13	30006-080025810	BOLT M8x25	螺栓 M8x25	1	
F05-14	6L30-050004	PLUG, FRONT FORK	前叉管堵头	1	
F05-15	6L32-050600	FRONT RH SHOCK ABSORBER	前右减震器	1	
F05-16	6L32-050500	FRONT LH SHOCK ABSORBER	前左减震器	1	
F05-17	8010-000002	TOOL ST4.2	夹板ST4.2	3	
F05-18	30110-420130010	SCREW ST4.2x13	自攻螺钉 ST4.2X13	3	ALT:- 30110-421130010
F05-19	6L32-050011-0VS00	FRONT FENDER REAR PART (NEBULA WHITE)	前挡泥板后体	1	
F05-19	6L32-050011-0BT00	REAR PART, FRONT FENDER (TWILIGHT BLUE)	前挡泥板后体	1	
F05-20	6L30-050020	SCREW KIT M5x12	组合台阶螺钉 M5x12	6	
F05-21	6L30-050009-0VS00	FRONT FENDER FRONT PART (NEBULA WHITE)	前挡泥板前体_星耀白	1	
F05-21	6L30-050009-0ET00	FRONT PART, FRONT FENDER (TWILIGHT BLUE)	前挡泥板前体	1	

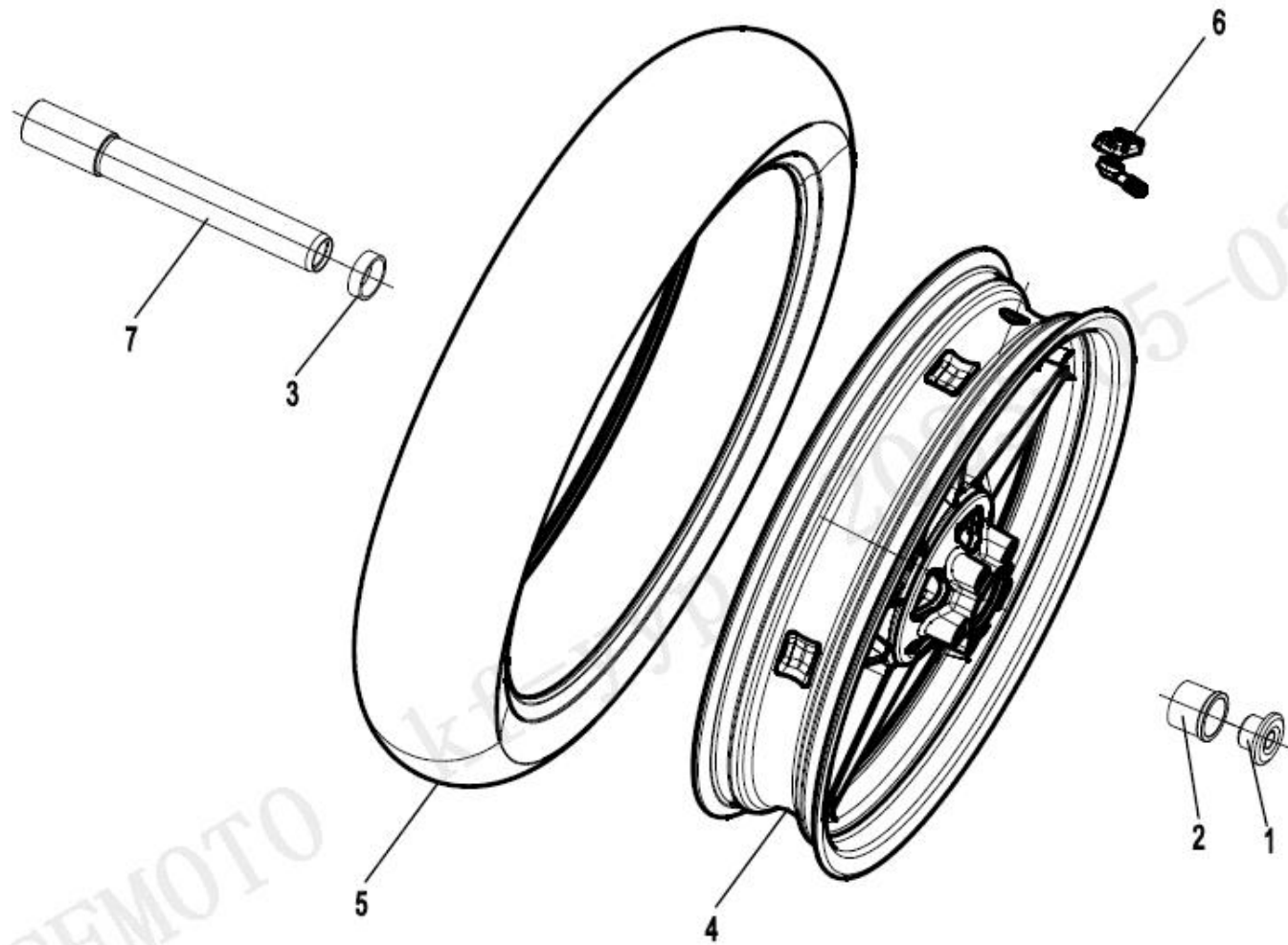
后悬架/REAR SUSPENSION



Item No.	Parts Number	Parts Name(EN)	Parts Name(CN)	Qty	Remarks
F06-01	6L30-060010	SHAFT, REAR FORK	后平叉轴组件	1	
F06-02	6L30-060030	OIL SEAL, REAR FORK	后平叉油封	4	
F06-03	6L30-060007	CAP, REAR FORK LINER	后平叉衬管端盖	4	
F06-04	6L30-060006	RH LINER, REAR FORK	后平叉右衬管	1	
F06-05	6L30-060020	BEARING, REAR FORK	后平叉轴承	2	
F06-06	6L30-060004	LIMIT WASHER	限位垫圈	2	
F06-07	6L30-060005	LH LINER, REAR FORK	后平叉左衬管	1	
F06-08	6L30-060014	WASHER	垫圈	1	
F06-09	A000-060004	NUT M20x1.5	螺母 M20x1.5	1	
F06-10	6L30-060008	DAMPING BLOCK 1, CHAIN	链条缓冲块I	1	
F06-11	A000-060002	SCREW, CHAIN GUARD	链条护卡安装螺钉	2	
F06-12	30006-060016810	BOLT M6x16	螺栓 M6x16	1	ALT:- 30006-060016870
F06-13	6L30-060009	DAMPING BLOCK 2, CHAIN	链条缓冲块II	1	
F06-14	6L30-060301-0BP00	REAR FORK	后平叉	1	
F06-15	6NT1-060003	DUST CAP, SMALL	小防尘盖	2	
F06-16	6NT1-060002	DUST CAP, BIG	大防尘盖	2	
F06-17	6L30-060001	MOUNTING BOLT, REAR SHOCK ABSORBER	后减震器安装螺栓	2	
F06-18	6L30-060011	BUSHING, REAR SHOCK ABSORBER	后减震器安装衬套	2	
F06-19	6L32-060100	REAR SHOCK ABSORBER	后减震器	1	
F06-20	6L30-050020	SCREW KIT M5x12	组合台阶螺钉 M5x12	3	
F06-21	6L30-060012	SPROCKET GUARD	链条罩	1	
F06-22	6L30-060003	CHAIN ADJUSTER	链条调节器	2	
F06-23	6L30-060002	ADJUSTABLE BOLT, CHAIN	链条调节螺栓	2	
F06-24	6L30-060013	LOCK NUT, CHAIN ADJUSTER	链条调节器锁紧螺母	2	

F07 前轮总成 FRONT WHEEL

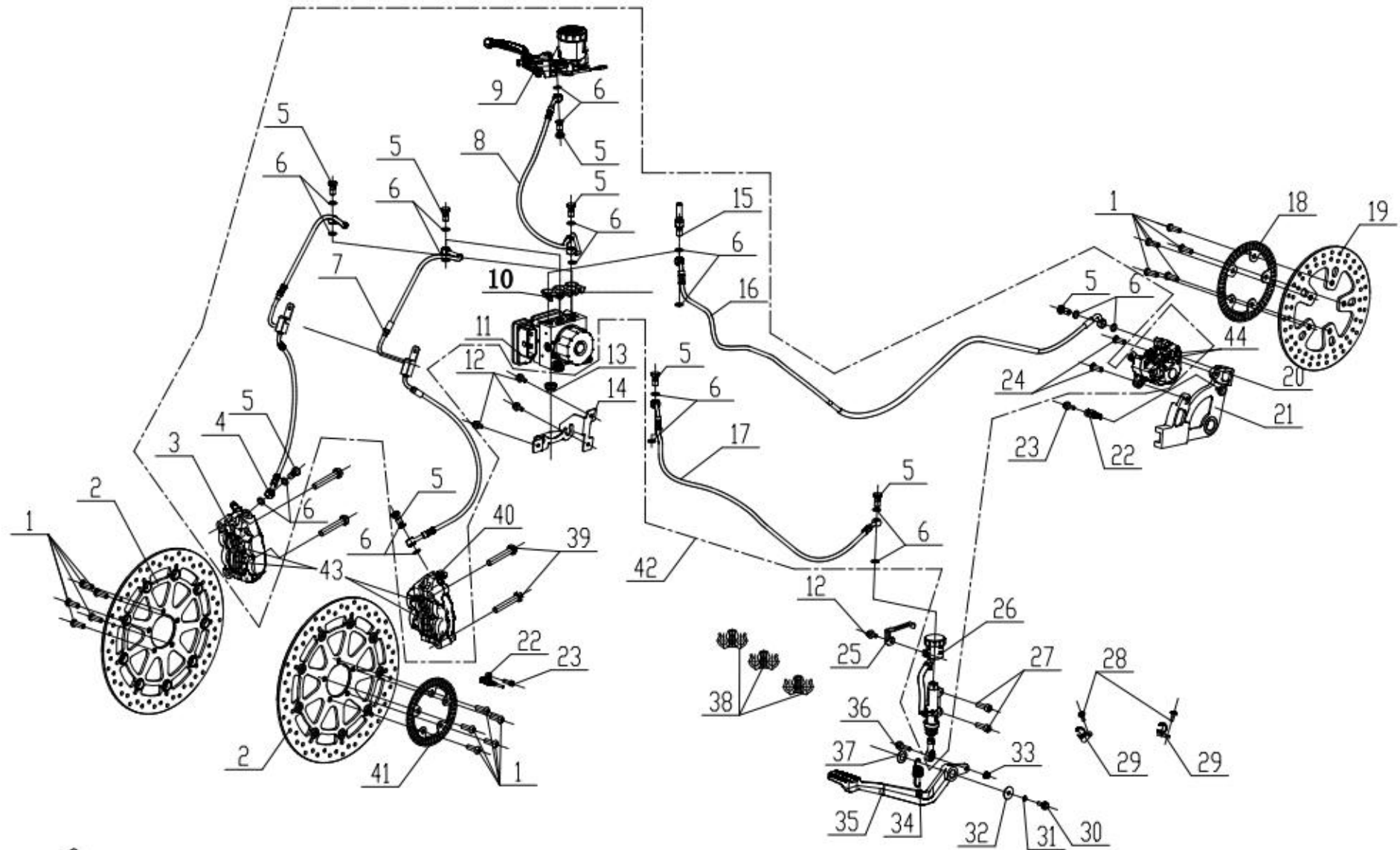
前轮/FRONT WHEEL



Item No.	Parts Number	Parts Name(EN)	Parts Name(CN)	Qty	Remarks
F07-01	6L30-070004	LOCK SCREW, FRONT AXLE	前轮轴紧固螺钉	1	
F07-02	6L30-070003	SLEEVE, FRONT WHEEL SHAFT	前轮轴衬套	1	
F07-03	6L30-070002	SPACER, FRONT WHEEL SHAFT	前轮轴隔套	1	
F07-04	6L30-070100-0VR00	FRONT RIM ASSY	前轮辋组合	1	
F07-05	3070SH-175900	FRONT TIRE 120/70ZR17	前轮胎 120/70ZR17	1	
F07-06	6L30-150850-10000	TIRE PRESSURE SENSOR	胎压传感器	1	
F07-07	6L30-070001	FRONT WHEEL SHAFT	前轮轴	1	

F08 液压制动总成 BRAKE ASSY

制动系统 / BRAKE SYSTEM

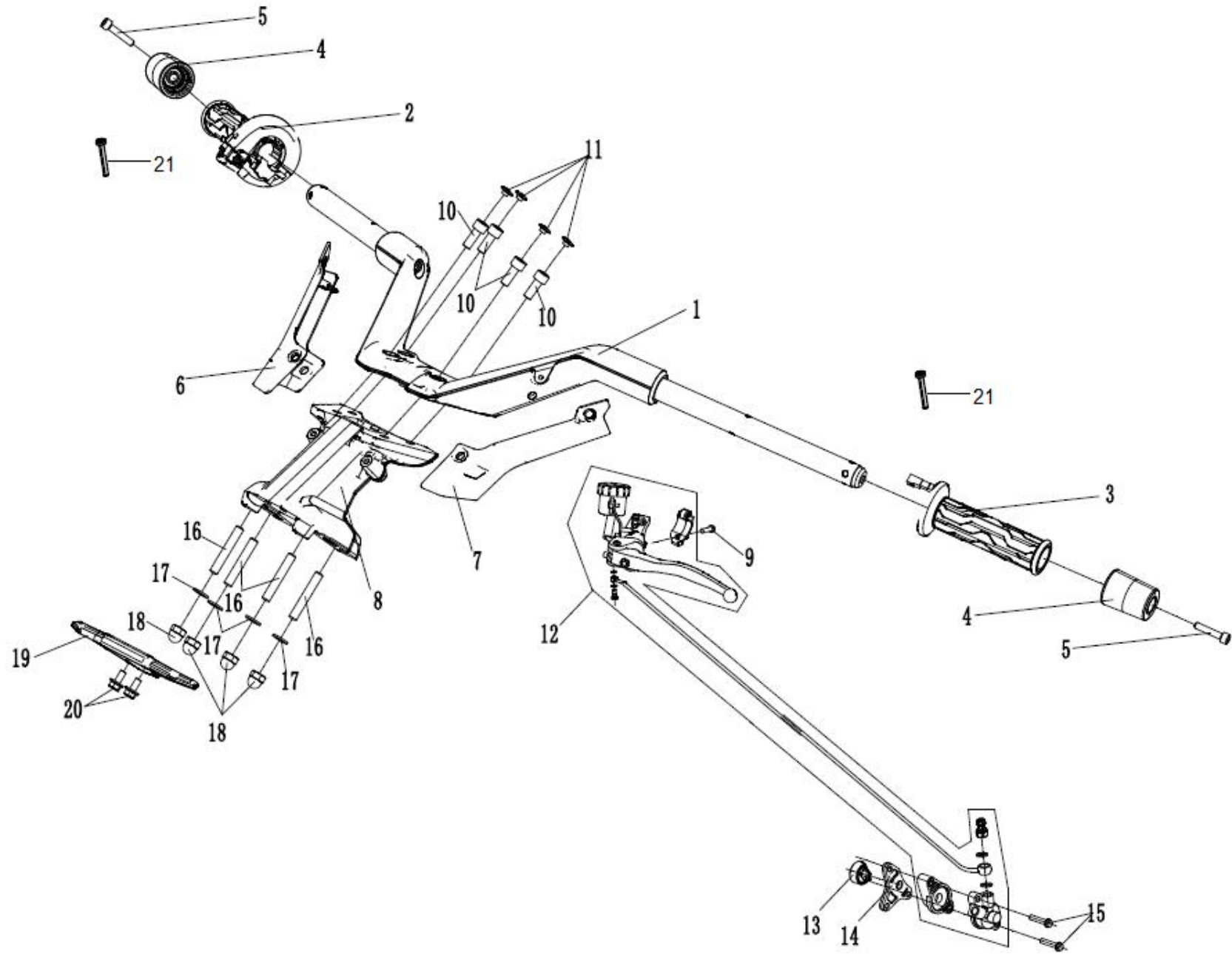


Item No.	Parts Number	Parts Name(EN)	Parts Name(CN)	Qty	Remarks
F08-01	6GUV-080001-7000	SCREW	螺钉	15	ALT:- C90709062000
F08-02	6L32-080010	FRONT BRAKE DISC ASSY	前制动盘组合	2	
F08-03	6L30-081300	FRONT BRAKE CALIPER, RH	前右制动钳体组合	1	
F08-04	6L30-081050	FRONT RH BRAKE FLUID INLET PIPE	前右制动进油管	1	
F08-05	A000-080101-2000	BANJO BOLT	过油螺栓I	10	
F08-06	A000-080102-2000	WASHER	垫圈	20	
F08-07	6L30-081020	FRONT LH BRAKE FLUID INLET PIPE	前左制动进油管	1	
F08-08	6L32-081010	FRONT BRAKE FLUID OUTLET HOSE	前制动出油管	1	
F08-09	6L30-081100	MASTER CYLINDER, HAND BRAKE	手刹主泵组合	1	
F08-10	6L30-080009	LIMIT BRACKET, MSC CONTROLLER HOSE	MSC控制器油管限位支架	1	
F08-11	6L30-081400	MSC CONTROLLER	MSC控制器	1	
F08-12	30006-060012810	BOLT M6x12	螺栓M6x12	6	ALT:- 30006-060012870
F08-13	6L30-080008	DAMPING RUBBER SLEEVE, MSC CONTROLLER	MSC控制器缓冲胶套	1	
F08-14	6L30-080007	BRACKET, MSC CONTROLLER	MSC控制器支架	1	
F08-15	6NQ#-081070-6000-M1	REAR BRAKE LIGHT SWITCH	后制动灯开关	1	
F08-16	6L30-081040	REAR BRAKE FLUID INLET PIPE	后制动进油管	1	
F08-17	6L30-081030	REAR BRAKE FLUID OUTLET PIPE	后制动出油管	1	
F08-18	6L30-080004	GEAR RING, REAR WHEEL	后轮齿圈	1	
F08-19	6L3V-080002-4200	REAR BRAKE DISC	后制动盘	1	
F08-20	6L30-081600	REAR BRAKE CALIPER	后制动嵌体组合	1	
F08-21	6L30-081201-10000	REAR BRAKE BRACKET	后制动安装板	1	
F08-22	6L30-080020	SPEED SENSOR, FRONT WHEEL	前轮车速传感器	2	
F08-23	0010-023010-0010	BOLT M6x20	螺栓 M6x20	2	
F08-25	6L30-080011	BRACKET, RESERVOIR CAP	油杯盖防松支架	1	
F08-26	6L30-081500	MASTER CYLINDER ASSY., FOOT BRAKE	脚刹主泵组合	1	
F08-27	30102-060022810	SCREW M6x22	螺钉 M6x22	2	
F08-28	A000-040202	INNER HEX SCREW M5x14	内六角螺钉M5x14	4	
F08-29	6L30-080005	WIRE CLIP 1, BRAKE FLUID HOSE	制动油管线夹I	2	
F08-30	30006-060016810	BOLT M6x16	螺栓 M6x16	1	ALT:- 30006-060016870
F08-31	30303-060112	WASHER M6	垫圈 M6	1	
F08-32	A000-080006-10000	WASHER 1	垫片I	1	
F08-33	30204-060810	NUT M6	螺母 M6	1	
F08-34	6WWV-080005-5000	RETURN SPRING	回位弹簧	1	
F08-35	6L32-082001-0VR00	REAR BRAKE PEDAL	后制动踏板	1	
F08-36	30006-060030810	BOLT M6x30	螺栓 M6x30	1	

Item No.	Parts Number	Parts Name(EN)	Parts Name(CN)	Qty	Remarks
F08-37	A000-080007-10000	WASHER 2	垫片II	1	
F08-38	6L30-080006	WIRE CLIP 2, BRAKE FLUID HOSE	制动油管线夹II	3	
F08-39	6L30-080012	LOCK BOLT, CALIPER	卡钳固定螺栓	4	
F08-40	6L30-081200	FRONT BRAKE CALIPER, LH	前左制动钳体组合	4	
F08-41	6L30-080003	GEAR RING, FRONT WHEEL	前轮齿圈	1	
F08-42	6L32-081000	MSC HYDRAULIC BRAKE ASSY	MSC液压制动器组合	1	
F08-43	6L30-081210	FRONT BRAKE PAD	前制动片	4	
F08-44	6L30-081610	REAR BRAKE PAD	后制动片	2	
F08-45	6L30-081101	BRACKET, HAND BRAKE RESERVOIR	手刹油杯安装支架	1	

F10 转向系统 STEERING SYSTEM

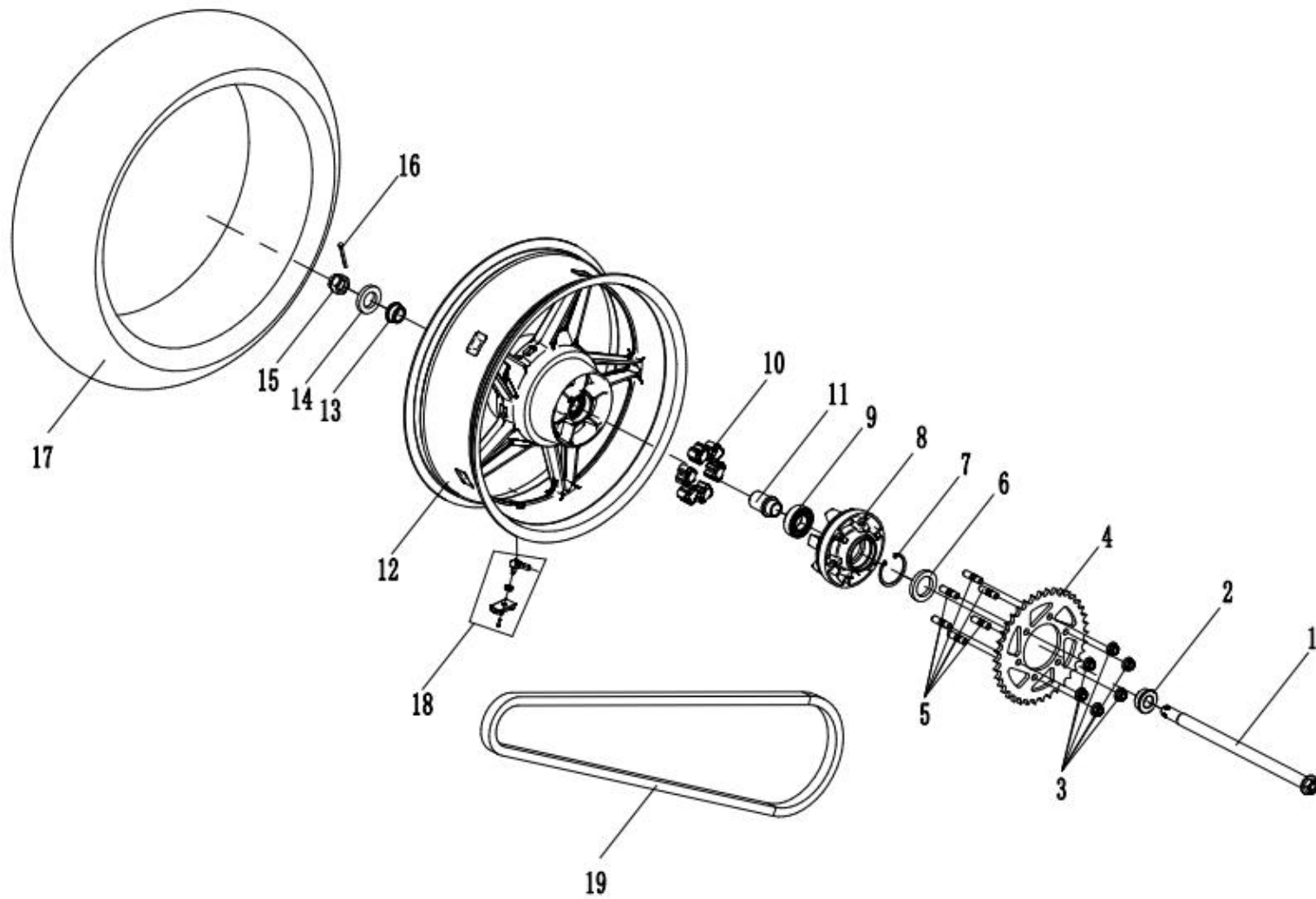
F10 操纵、转向机构总成/STEERING SYSTEM



Item No.	Parts Number	Parts Name(EN)	Parts Name(CN)	Qty	Remarks
F10-01	6L3V-100100-4200	HANDLEBAR SWITCH	方向把组合	1	
F10-02	6L30-100020-10000	ELECTRICAL THROTTLE ASSY	电子油门组件	1	ALT:- 6L3V-100020-1000-M1
F10-03	6L30-100010-10000	LH GRIP ASSY	左握把组件	1	ALT:- 6L3V-100010-1000-M1
F10-04	A000-1003A0	BALANCER	平衡块组合	2	
F10-05	A000-050018	INNER HEX SCREW M8x35	内六角圆锥头螺钉M8X35	2	
F10-06	6L32-100005	RH LOCK PLATE, HANDLEBAR CABLE	方向把线束右固定板	1	
F10-07	6L32-100004	LH LOCK PLATE, HANDLEBAR CABLE	方向把线束左固定板	1	
F10-08	6L32-100007	SEAT, HANDLEBAR	方向把支座	1	
F10-09	30102-060012810	SCREW M6x12	内六角螺钉M6X12	1	
F10-10	30102-080025810	SCREW M8x25	螺钉 M8x25	4	
F10-11	6L32-100006	DECO COVER, HANDLEBAR SCREW	方向把螺钉装饰盖	4	
F10-12	6L30-101000	HYDRAULIC CLUTCH ASSY	液压离合组合	1	
F10-13	6L30-101002	LIMIT BLOCK, CLUTCH ROD	离合器顶杆限位块	1	
F10-14	6L30-101001	BRACKET, HYDRAULIC CLUTTH	液压离合支架	1	
F10-15	0010-013010-0010	BOLT M6x50	螺栓 M6x50	2	
F10-16	6L32-100008	STUD, HANDLEBAR SEAT	方向把支座双头螺柱	4	
F10-17	30306-080112	WASHER M8	垫圈 M8	4	
F10-18	30206-080510	NUT M8	盖形螺母 M8	4	
F10-19	6L32-100003-0BP00	WIRECLIP	导线夹	1	
F10-20	30006-060012810	BOLT M6x12	螺栓M6×12	2	ALT:- 30006-060012870
F10-21	30105-040030410	SCREW M4x30	螺钉 M4x30	2	

F11 后轮总成 REAR WHEEL

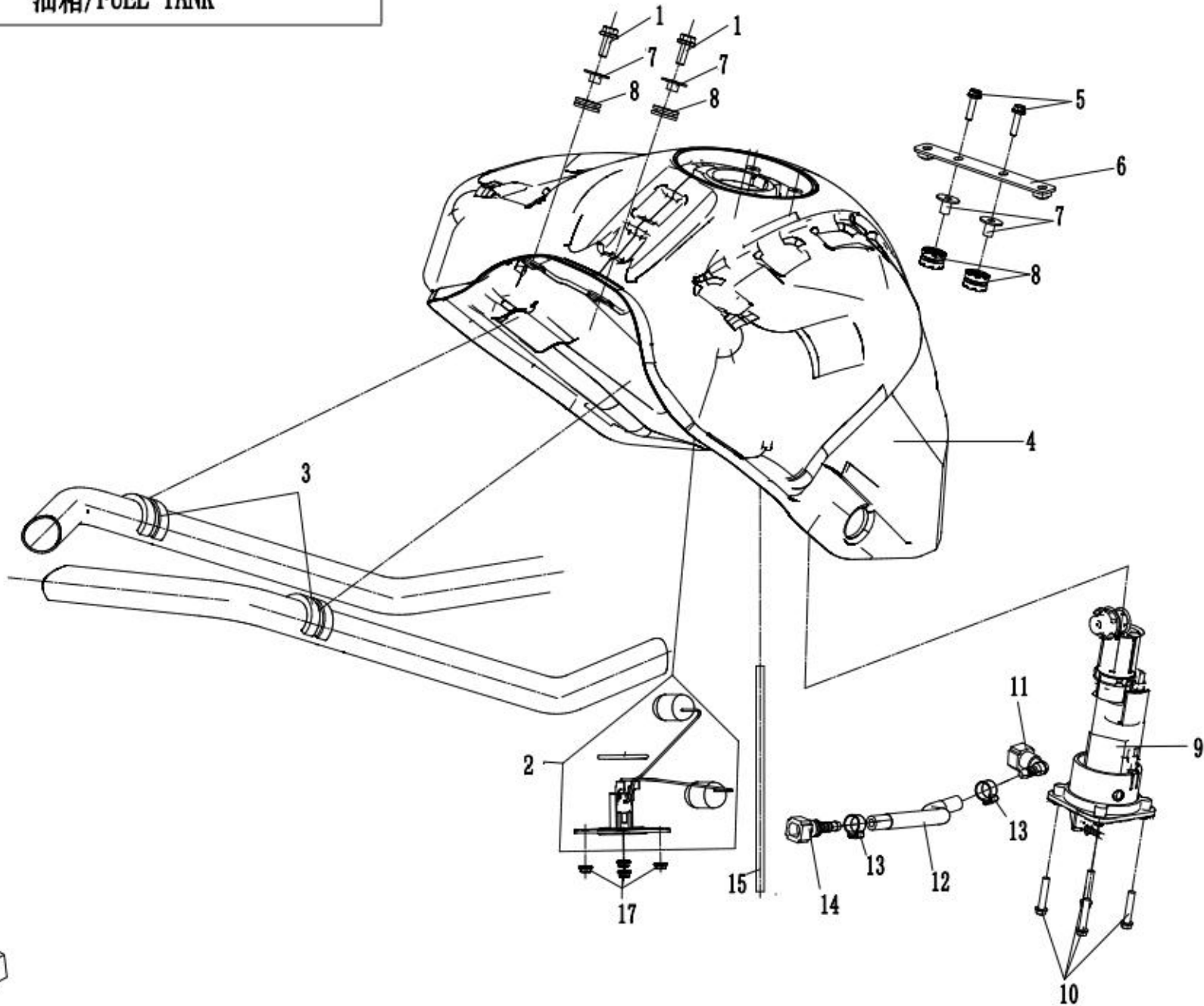
后轮总成/REAR WHEEL ASSY



Item No.	Parts Number	Parts Name(EN)	Parts Name(CN)	Qty	Remarks
F11-01	6L30-110001	REAR WHEEL SHAFT	后轮轴	1	
F11-02	A000-110002	LH SHAFT SLEEVE, REAR WHEEL	后轮左轴套	1	
F11-03	30204-102810	NUT M10x1.25	螺母 M10x1.25	6	
F11-04	6L32-110007	REAR SPROCKET	后链轮	1	
F11-05	6L30-110008	BOLT, REAR SPROCKET	后链轮安装螺栓	6	
F11-06	30501-035800N	OIL SEAL 35x52x8	油封 35x52x8	1	
F11-07	30800-05205	CIRCLIP FOR HOLE 52	孔用弹性挡圈 52	1	
F11-08	6L30-110005-1BP00	SPROCKET SEAT	链轮座	1	
F11-09	30499-02502	BEARING 6205	滚动轴承 6205	1	
F11-10	6L30-110003	DAMPER, SPROCKET	链轮缓冲块	6	
F11-11	6L30-110004	COLLAR, SPROCKET SEAT	链轮座轴套	1	
F11-12	6L30-110100-0VR00	REAR RIM ASSY	后轮辋组合	1	
F11-13	6NT1-110003	WASHER, REAR WHEEL AXLE	后轮右轴套	1	
F11-14	A000-110009	WASHER 18, REAR WHEEL AXLE	后轮轴平垫18	1	
F11-15	A000-110011	NUT, REAR WHEEL	后轮轴螺母	1	
F11-16	30903-0403610	COTTER PIN 40x36	开口销 40x36	1	
F11-17	3070SH-176000	REAR TIRE 190/55ZR17	后轮胎 190/55ZR17	1	
F11-18	6L30-150850-10000	TIRE PRESSURE SENSOR	胎压传感器	1	
F11-19	3120925	CHAIN	链条	1	

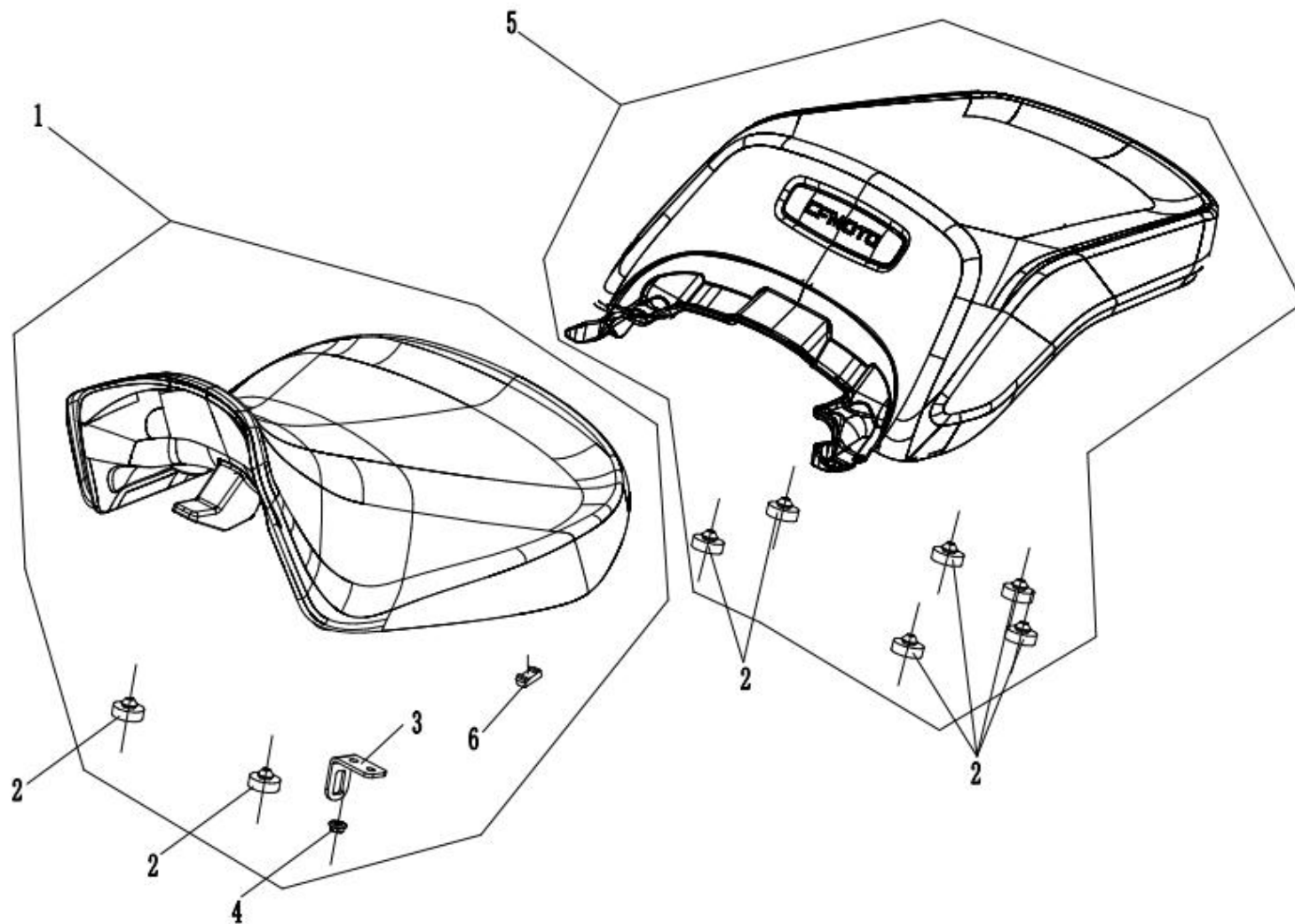
F12 油箱 FUEL TANK

油箱/FUEL TANK



Item No.	Parts Number	Parts Name(EN)	Parts Name(CN)	Qty	Remarks
F12-01	A000-040702	INNER HEX SCREW M6x12	内六角螺钉M6×12	2	ALT:- 6KM#-040702-8000
F12-02	6L3V-170200-4200-M1	FUEL LEVEL SENSOR	油位传感器	1	
F12-03	6L30-120001	SIDE RUBBER SLEEVE, FUEL TANK	油箱侧胶套	2	
F12-04	6L32-120100	FUEL TANK ASSY	油箱焊接组件	1	
F12-05	30006-060025810	BOLT M6x25	螺栓 M6x25	2	
F12-06	6L30-120030	BRACKET, PANEL	护板安装座组件	1	
F12-07	5020-031002	RUBBER SLEEVE LINER, FRONT LICENSE BRACKET	前牌照支架橡胶套衬套	4	
F12-08	5020-031001	RUBBER SLEEVE, FRONT LICENSE BRACKET	前牌照支架橡胶胶套	4	
F12-09	6KWV-150900-1000	FUEL PUMP	燃油泵	1	
F12-10	30006-060016810	BOLT M6x16	螺栓 M6x16	4	ALT:- 30006-060016870
F12-11	6090-120210	QUICK JOINT	快速接头	1	
F12-12	6L30-120010	HIGH PRESSURE FUEL HOSE ASSY	高压油管组合	1	
F12-13	6070-120400	CLAMP (Φ14.5)	无级环箍(Φ14.5)	2	
F12-14	6KJ0-120330-10000	QUICK JOINT	快速接头	1	
F12-15	6NQ0-120001	FUEL PIPE, FUEL TANK	油箱漏油管	1	
F12-16	6L3J-250060-3000	HEAT INSULATOR, FUEL TANK	油箱隔热贴	1	
F12-17	30202-060110	NUT M6	螺母 M6	4	ALT:- 30204-060810

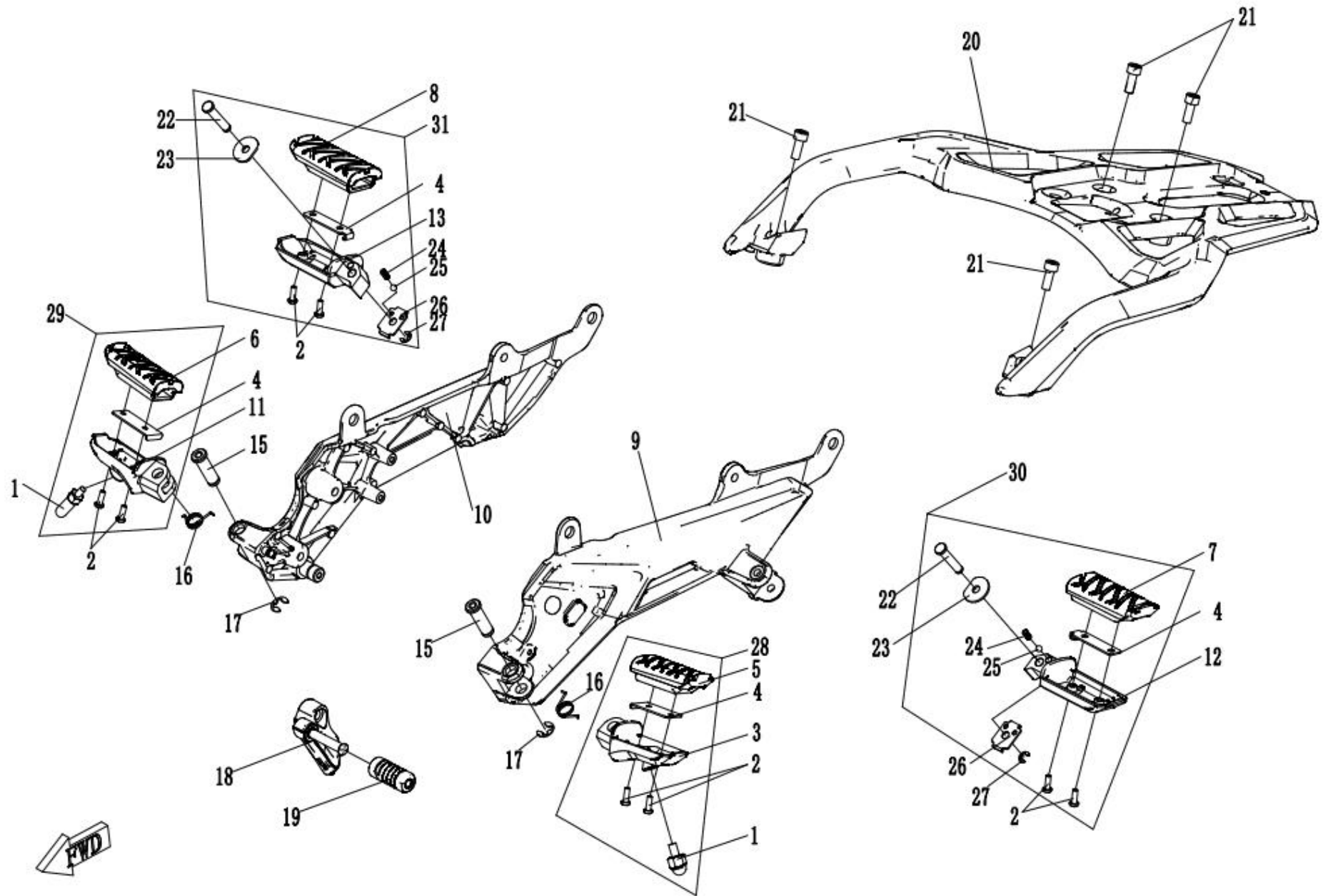
F13座墊总成/SEAT ASSY



Item No.	Parts Number	Parts Name(EN)	Parts Name(CN)	Qty	Remarks
F13-01	6L3V-130100-4200	FRONT HEATED SEAT ASSY	前加热座垫组合	1	
F13-02	6KM0-130205	RUBBER	缓冲橡胶垫	8	
F13-03	6L32-130100-4000-23	SEAT LOCK HOOK	座垫锁钩	1	
F13-04	30202-060110	NUT M6	螺母 M6	1	ALT:- 30204-060810
F13-05	6L3V-130200-4200	REAR HEATED SEAT ASSY	后加热座垫组合	1	
F13-06	6FI3-130105	RUBBER DAMPER 3	缓冲橡胶垫III	1	

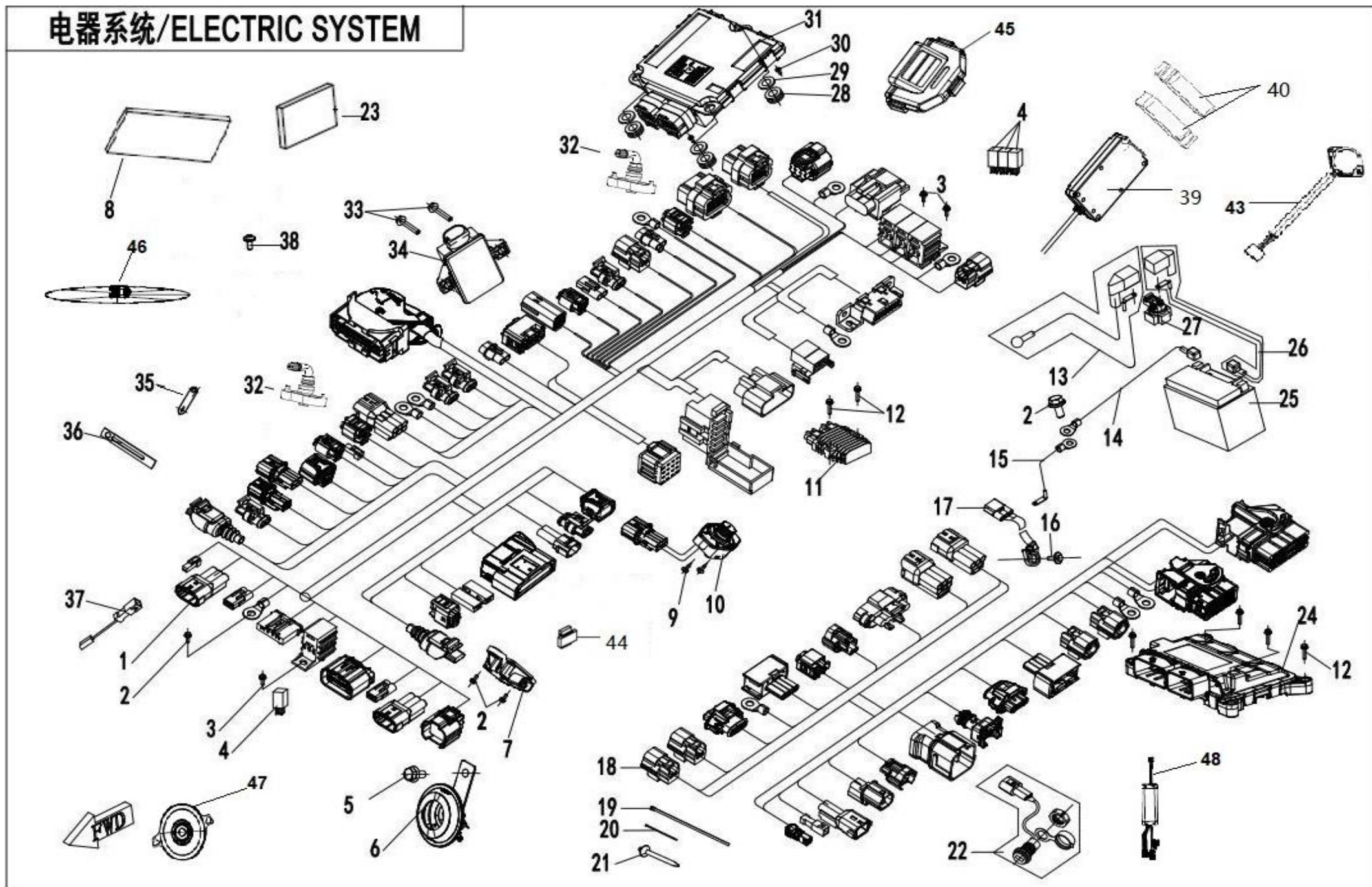
F14 脚蹬总成 FOOTREST

脚蹬总成/FOOTREST



Item No.	Parts Number	Parts Name(EN)	Parts Name(CN)	Qty	Remarks
F14-01	A000-140122-00001	LIMIT BOLT	限位螺栓	2	
F14-02	6NTA-040202	INNER HEX SCREW M5x12	内六角螺钉M5×12	8	
F14-03	6L32-140131-0VR00	LH FRONT FOOTREST SEAT	左前脚踏座	1	
F14-04	6NTG-140160-10000	CONNECTING PLATE, FOOTREST	脚踏连接板组件	4	
F14-05	6L32-140121-10000	RUBBER, FRONT LH FOOTREST	前左脚踏橡胶皮	1	
F14-06	6L32-140122-10000	RUBBER, FRONT RH FOOTREST	前右脚踏橡胶皮	1	
F14-07	6L32-140123-10000	RUBBER, REAR LH FOOTREST	后左脚踏橡胶皮	1	
F14-08	6L32-140124-10000	RUBBER, REAR RH FOOTREST	后右脚踏橡胶皮	1	
F14-09	6L32-140111-0VR00	BRACKET, LH FOOTREST (MERCURY SILVER)	左脚踏支架	1	
F14-10	6L32-140120-0VR00	BRACKET, RH FOOTREST (MERCURY SILVER)	右脚踏支架组件	1	
F14-11	6L32-140132-0VR00	RH FRONT FOOTREST SEAT	右前脚踏座	1	
F14-12	A010-140141-1VR00	LH REAR FOOTREST SEAT (MERCURY SILVER)	左后脚踏座	1	
F14-13	A010-140151-1VR00	RH REAR FOOTREST SEAT (MERCURY SILVER)	右后脚踏座	1	
F14-15	A000-140141	PIN SHAFT Dia 12	销轴φ12	2	
F14-16	6L3V-140103-4200	SPRING	扭簧	2	
F14-17	30802-00903	SPLIT WASHER 9	开口挡圈9	2	
F14-18	6L32-140001-0VR00	GEARSHIFT LEVER	换挡杆	1	
F14-19	6L32-140004-10000	RUBBER SLEEVE, GEARSHIFT LEVER	换挡杆胶套	1	
F14-20	6L32-140002-0VR00	REAR ARMREST	后扶手	1	
F14-21	30102-080025810	SCREW M8x25	螺钉 M8x25	4	
F14-22	A000-140142	PIN SHAFT Dia 8	销轴Φ8	2	
F14-23	A000-140106	LOCATING GASKET 2	定位垫片II	2	
F14-24	5190-037813	SPRING	弹簧	2	
F14-25	5190-037814	STEEL BALL	钢珠	2	
F14-26	A000-140104	LOCATING GASKET 1	定位垫片I	2	
F14-27	30802-00603	CIRCLIP 6	开口挡圈6	2	ALT:- 30802-00605
F14-28	6L32-1401A0	LH FRONT FOOTREST ASSY	左前脚踏组合	1	
F14-29	6L32-1401B0	RH FRONT FOOTREST ASSY	右前脚踏组合	1	
F14-30	6L32-1401C0	LH REAR FOOTREST ASSY	左后脚踏组合	1	
F14-31	6L32-1401D0	RH REAR FOOTREST ASSY	右后脚踏组合	1	

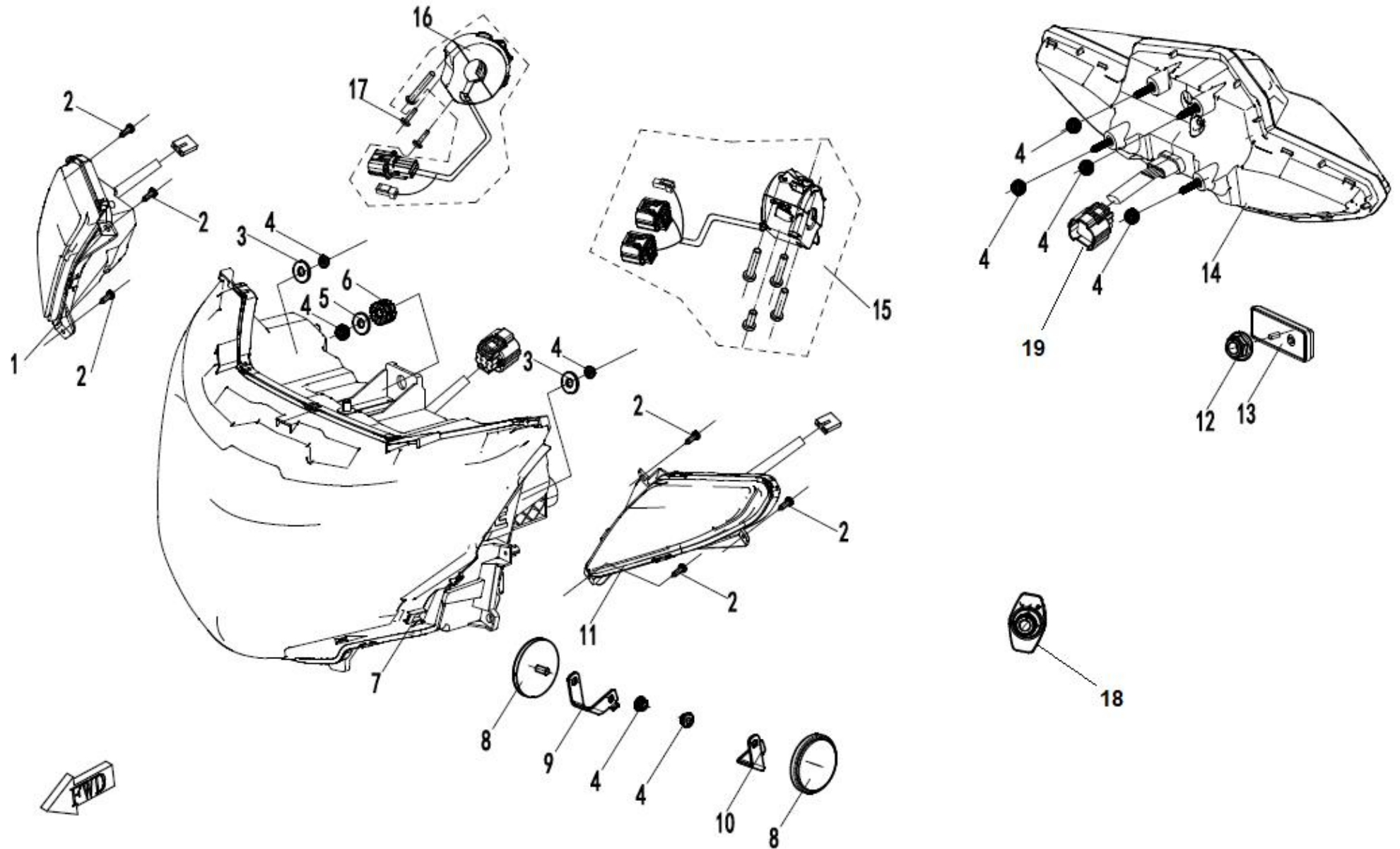
电器系统/ELECTRIC SYSTEM



Item No.	Parts Number	Parts Name(EN)	Parts Name(CN)	Qty	Remarks
F15-01	6L3V-150100-4200	MAIN CABLE	主电缆	1	
F15-02	30006-060012810	BOLT M6x12	螺栓M6×12	6	ALT:- 30006-060012870
F15-03	6L30-050020	SCREW KIT M5x12	组合台阶螺钉 M5x12	3	
F15-04	A000-150800	AUXILIARY RELAY	辅助继电器	4	
F15-05	30006-080014810	BOLT M8x14	螺栓 M8x14	1	
F15-06	6NT1-150600	HORN	喇叭	1	
F15-07	6L30-080040	6D SENSOR	6D传感器	1	
F15-08	5270-150002	FOAM (FR &RR), BATTERY	蓄电池泡沫垫前后	2	
F15-09	30110-421130010	SCREW ST4.2x13	自攻螺钉 ST4.2X13	2	
F15-10	6L32-200500	CONTROL SWITCH, REAR VIEW MIRROR	后视镜控制开关	1	
F15-11	9DSV-151000-4000	REGULATOR	整流调压器	1	
F15-12	30006-060030810	BOLT M6x30	螺栓 M6x30	6	
F15-13	6L32-150200	POSITIVE CABLE, STARTER MOTOR	起动马达正极线	1	
F15-14	6L30-150310	NEGATIVE WIRE, BATTERY	电瓶负极线	1	
F15-15	6L32-150320	NEGATIVE CABLE, STARTER MOTOR	起动马达负极线	1	
F15-16	8010-090005	BOLT M6x16	螺栓M6×16	1	
F15-17	6KMV-151200-8501	SIDE STAND SWITCH	边撑开关	1	
F15-18	6L3V-150500-4200	ENGINE CABLE	发动机线束	1	
F15-19	8010-150003	TIE	扎带	30	
F15-20	6L30-150003	TIE	扎带	13	
F15-21	801F-100101	TIE BAND	扎带	1	
F15-22	FA8V-150600-1001	USB OUTLET SOCKET	USB输出座组合	1	
F15-23	5270-150001	FOAM (LH&RH), BATTERY	蓄电池泡沫垫左右	2	
F15-24	1F30-174000	ECU	ECU	1	
F15-25	31020704	BATTERY	蓄电池	1	
F15-25	6L32-151600	BATTERY	蓄电池	1	
F15-26	6L32-150700	POSITIVE CABLE, STARTER RELAY	起动继电器正极线	1	
F15-27	9010-150310-10001	STARTER RELAY	起动继电器	1	
F15-28	6090-040302	RUBBER DAMPER	缓冲胶套	2	
F15-29	30306-050112	WASHER M5	垫圈 M5	3	
F15-30	30110-481130010	SCREW ST4.8X13	自攻螺钉 ST4.8X13	3	
F15-31	6WWV-150410-5000-10	VEHICLE CONTROL UNIT	车身控制模块	1	
F15-32	6L30-150850-10000	TIRE PRESSURE SENSOR	胎压传感器	2	
F15-33	6L30-050020	SCREW KIT M5x12	组合台阶螺钉 M5x12	2	
F15-34	6L30-150860-10000	RF RECEIVER	RF接收器	1	

Item No.	Parts Number	Parts Name(EN)	Parts Name(CN)	Qty	Remarks
F15-35	6KJ0-100002	CLUTCH PULL BINDING	离合器拉索绑带	5	
F15-36	0180-014010	WIRE CLIP	线夹组合	7	
F15-38	30105-050012410	SCREW M5x12	螺钉 M5X12	1	
F15-39	SN1V-691100-1100-12	T-BOX	智能中控	1	ALT:- SN1V-691100-1102-12
F15-40	6KMV-150901-B001	RUBBER RING, T-BOX	T-BOX橡胶圈	2	
F15-41	6L3V-150191-4200	SPEAKER ADAPTER CABLE	扬声器转接线	1	
F15-43	9DQV-150300-3000	ALARM	报警器	1	
F15-44	6100-150500	RUBBER SLEEVE, FLASHER	闪烁器安装橡胶套	6	
F15-45	6WWV-150420-5000-10	BUSHING, VEHICLE CONTROL UNIT	车身控制模块安装套	1	
F15-46	6L3V-460100-4200-M1	BACKSCATTER RADAR	后向雷达	1	
F15-47	6L3V-256100-4200	3 INCH MID RANGE TWEETER	3寸中高音喇叭	2	
F15-48	6L3V-256200-4200	SOUND AMPLIFIER	音响功放	1	

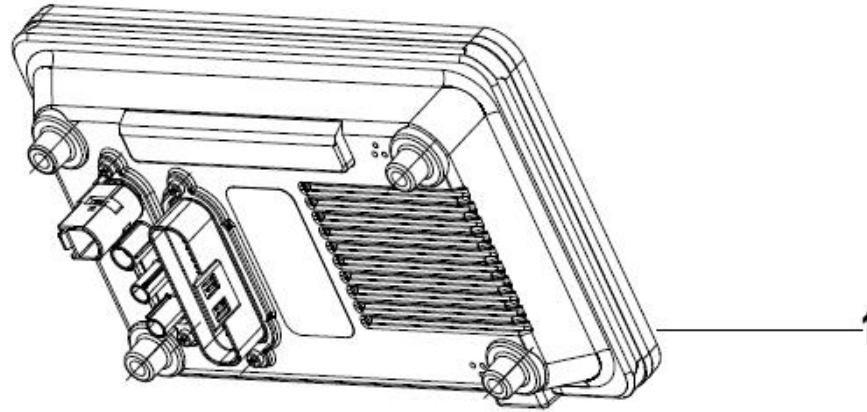
照明及信号/LIGHTS & SIGNAL



Item No.	Parts Number	Parts Name(EN)	Parts Name(CN)	Qty	Remarks
F16-01	6L30-163200-10000	FRONT RH TURN LIGHT ASSY	前右转向灯组合	1	
F16-02	30110-420160010	SCREW ST4.2x16	自攻螺钉 ST4.2x16	6	
F16-03	30305-060112	WASHER M6	垫圈 M6	2	
F16-04	30202-060110	NUT M6	螺母 M6	9	ALT:- 30204-060810
F16-05	5020-031002	RUBBER SLEEVE LINER, FRONT LICENSE BRACKET	前牌照支架橡胶套衬套	1	
F16-06	5020-031001	RUBBER SLEEVE, FRONT LICENSE BRACKET	前牌照支架橡胶胶套	1	
F16-07	6L3V-160110-4200-M1	HEADLIGHT	前照灯	1	
F16-08	8050-160220	SIDE REFLECTOR	侧反射器	2	
F16-09	6NTG-050802	RH BRACKET, FRONT REFLECTOR	前右反射器支架	1	
F16-10	6NTG-050801	LH BRACKET, FRONT REFLECTOR	前左反射器支架	1	
F16-11	6L30-163100-10000	FRONT LH TURN LIGHT ASSY	前左转向灯组合	1	
F16-12	30202-050110	NUT M5	螺母 M5	1	
F16-13	5190-160230-00002	REAR REFLECTOR	后反射器	1	
F16-14	6L30-162100-10000	TAIL LIGHT ASSY	尾灯组合	1	
F16-15	6L3V-166000-4200	LH HANDLEBAR SWITCH ASSY	左手把开关总成	1	
F16-16	6L32-167000	HANDLEBAR SWITCH ASSY, RH	右手把开关总成	1	
F16-17	30137-250120010	SCREW	螺钉	2	
F16-18	6L3V-169230-4200	REARVIEW MIRROR CONTROL SWITCH	后视镜控制开关	1	
F16-19	6GU#-150001-6000-M1	CLASP	卡扣	1	

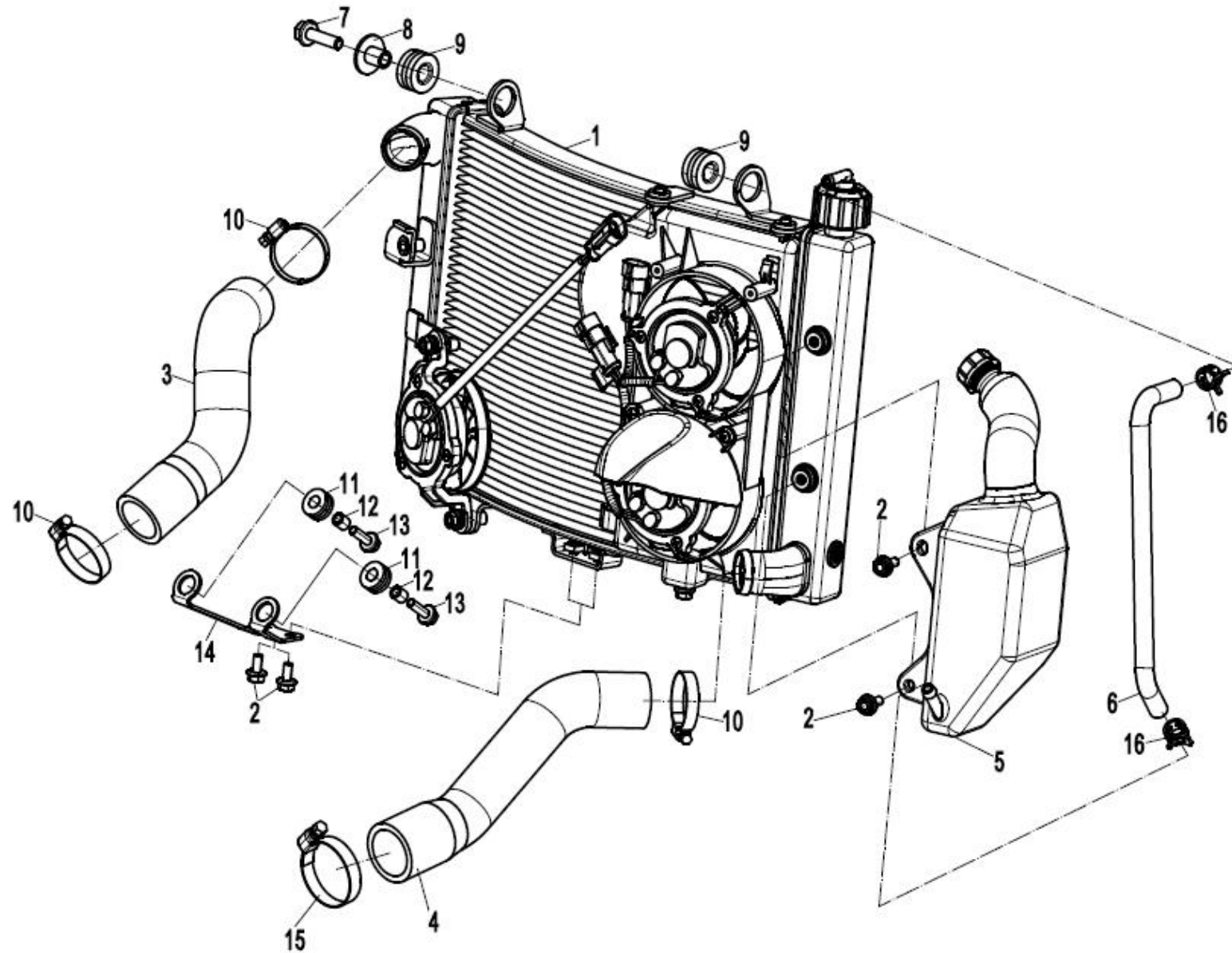
F17 仪表 DASHBOARD

仪表/DASHBOARD ASSY



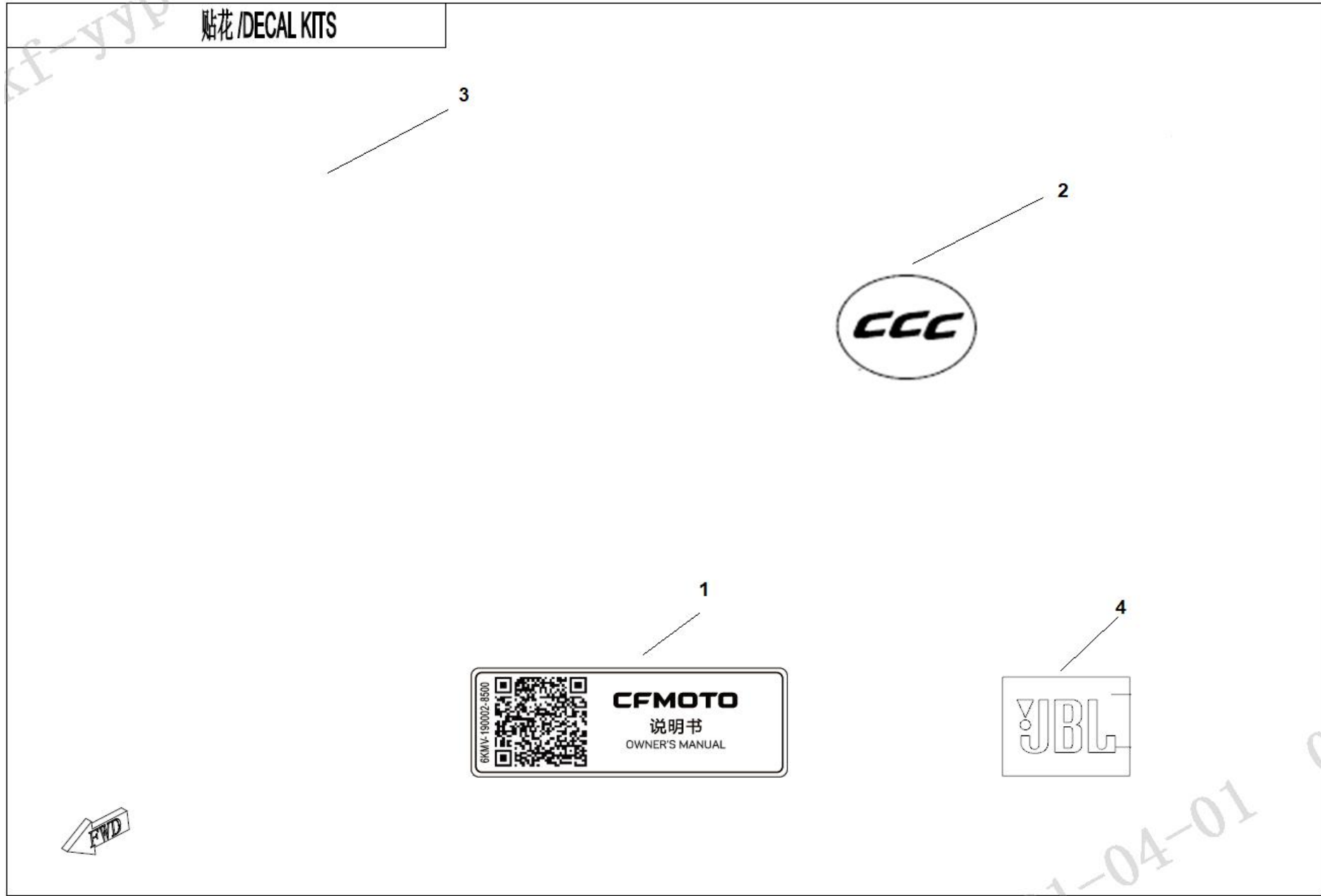
Item No.	Parts Number	Parts Name(EN)	Parts Name(CN)	Qty	Remarks
F17-01	6L3V-170500-4200-20	MMI DASHBOARD	智能交互中枢	1	

冷却系统/COOLING SYSTEM



Item No.	Parts Number	Parts Name(EN)	Parts Name(CN)	Qty	Remarks
F18-01	6L30-181000	RADIATOR ASSY	散热器组合	1	
F18-02	30006-060012810	BOLT M6x12	螺栓M6×12	4	ALT:- 30006-060012870
F18-03	6L30-180001	WATER INLET HOSE, RADIATOR	散热器进水管	1	
F18-04	6L30-180002	WATER OUTLET HOSE, RADIATOR	散热器出水管	1	
F18-05	6L30-180010	RESERVOIR TANK ASSY	副水箱组件	1	
F18-06	6L30-180003	CONNECTING HOSE, RESERVOIR TANK	副水箱连接管	1	
F18-07	30006-080030810	BOLT M8x30	螺栓 M8x30	1	
F18-08	A000-180010-20000	BUSHING, RADIATOR DAMPER	散热器减震胶垫II衬套	1	
F18-09	A000-180005	DAMPER2, RADIATOR	散热器减震胶垫II	2	
F18-10	6L32-180002	CLAMP 25-40-9	喉箍 25-40-9	3	
F18-11	6090-040302	RUBBER DAMPER	缓冲胶套	2	
F18-12	6090-040303	BUSHING	衬套	2	
F18-13	30006-060020810	BOLT M6x20	螺栓M6×20	4	ALT:- 30006-060020870
F18-14	6L30-180020	LOWER BRACKET, RADIATOR	散热器下安装支架组合	1	
F18-15	6L32-180001	CLAMP 32-50-9	喉箍 32-50-9	1	
F18-16	30601-212530	CLAMP B12.5	环箍B12.5	2	

F19-1 标贴 DECAL



Item No.	Parts Number	Parts Name(EN)	Parts Name(CN)	Qty	Remarks
F19-1-01	6KMV-190002-8501	OWNERS MANUAL QR-CORD DECAL	说明书二维码标贴	1	
F19-1-03	6L3J-190002-10000	WARNING LABEL - ENGLISH	警告标贴-英文版	1	
F19-1-04	6L3V-256300-4200	JBL TRADEMARK	JBL商标	2	

F19-2 贴花 DECAL



①



②



③



④

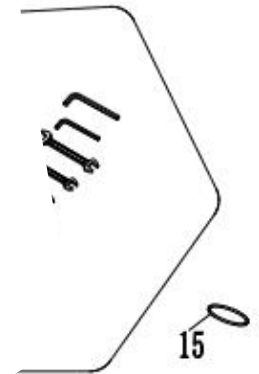
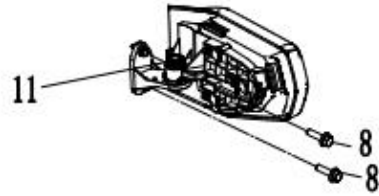
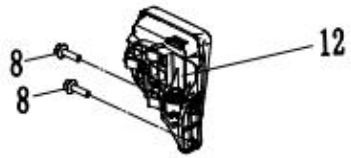
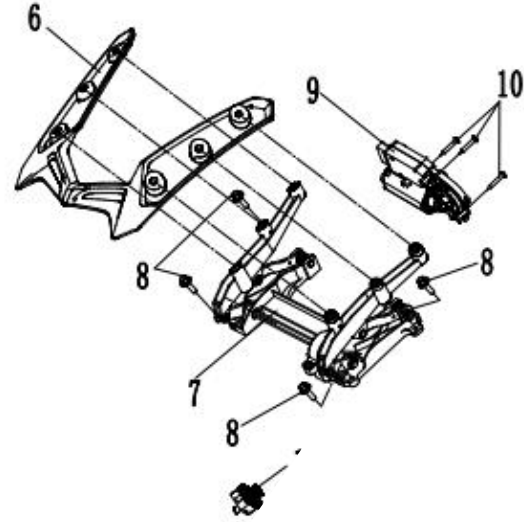
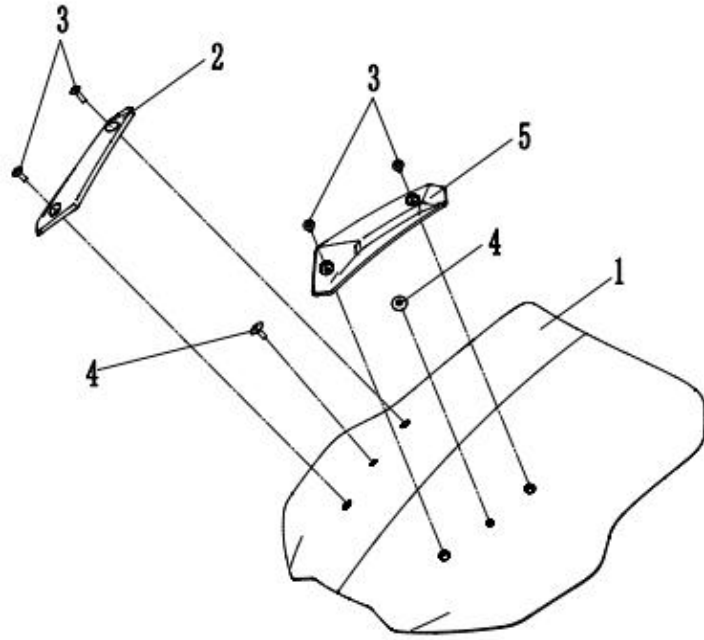


⑤

Item No.	Parts Number	Parts Name(EN)	Parts Name(CN)	Qty	Remarks
F19-2-01	6L3V-190001-4200	LH PANEL LOGO	左侧护板立体标	1	
F19-2-02	6L3V-190002-4200	RH PANEL LOGO	右侧护板立体标	1	
F19-2-03	6L3V-190004-4200	VEHICLE FRONT LOGO	车头立标	1	
F19-2-04	6L32-190003	STICKER, SIDE BOX	边箱立体标	2	
F19-2-05	6L32-190005	MODEL DECAL	型号贴花	2	

F20 可调风挡玻璃 AJUSTABLE WINESHIELD

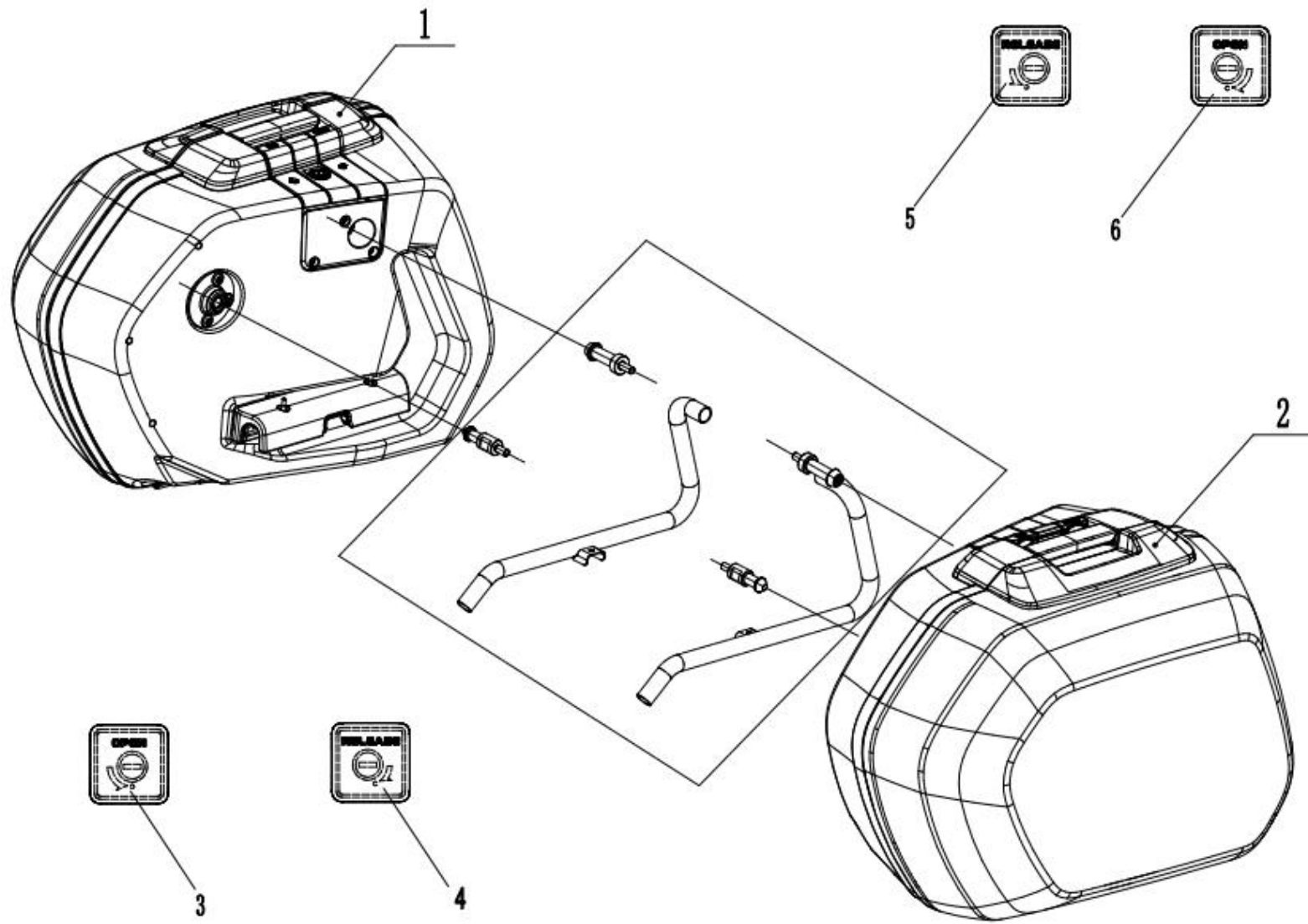
可调风挡玻璃/AJUSTABLE WINDSHIELD



Item No.	Parts Number	Parts Name(EN)	Parts Name(CN)	Qty	Remarks
F20-01	6L30-200402	WINDSHIELD	挡风玻璃	1	
F20-02	6L30-200404-0BT00	RH STRAP, WINDSHIELD	挡风右压条	1	
F20-03	A010-120003	BOLT M6x16	内六角螺钉M6X16	4	ALT:- 6NQ#-000206-6001
F20-04	A000-060002	SCREW, CHAIN GUARD	链条护卡安装螺钉	2	
F20-05	6L30-200403-0BT00	LH STRAP, WINDSHIELD	挡风左压条	1	
F20-06	6L30-200401	BUSHING, WINDSHIELD	挡风衬套	1	
F20-07	6L30-200410	BRACKET, WINDSHIELD	可调挡风支架组合	1	
F20-08	30006-060022810	BOLT	螺栓	8	
F20-09	6NTG-150600	WINDSHIELD MOTOR	风挡电机	1	
F20-10	30110-480320700	SELF-TAPPING SCREW ST4.8x3.2-C-H	自攻螺钉 ST4.8x3.2-C-H	3	
F20-11	6L30-200200-0VS00	LH REAR VIEW MIRROR ASSY (NEBULA WHITE)	左后视镜组合_星耀白	1	
F20-11	6L30-200200-0ET00	LH REAR VIEW MIRROR ASSY (TWILIGHT BLUE)	左后视镜组合	1	
F20-12	6L30-200300-0VS00	RH REAR VIEW MIRROR ASSY (NEBULA WHITE)	右后视镜组合_星耀白	1	
F20-12	6L30-200300-0ET00	RH REAR VIEW MIRROR ASSY (TWILIGHT BLUE)	右后视镜组合	1	
F20-13	6L3V-169230-4200	REARVIEW MIRROR CONTROL SWITCH	后视镜控制开关	1	

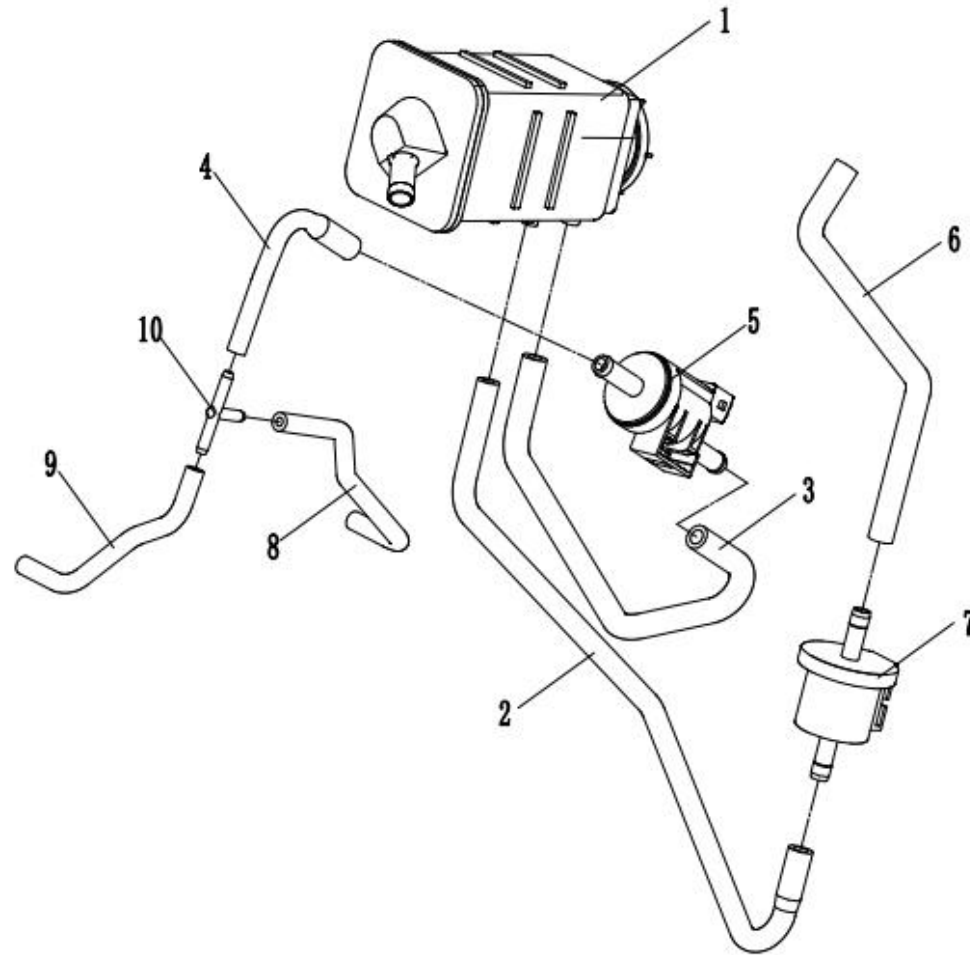
F22 边箱总成 SIDE BOX ASSEMBLY

边箱总成/SIDE BOX ASSEMBLY



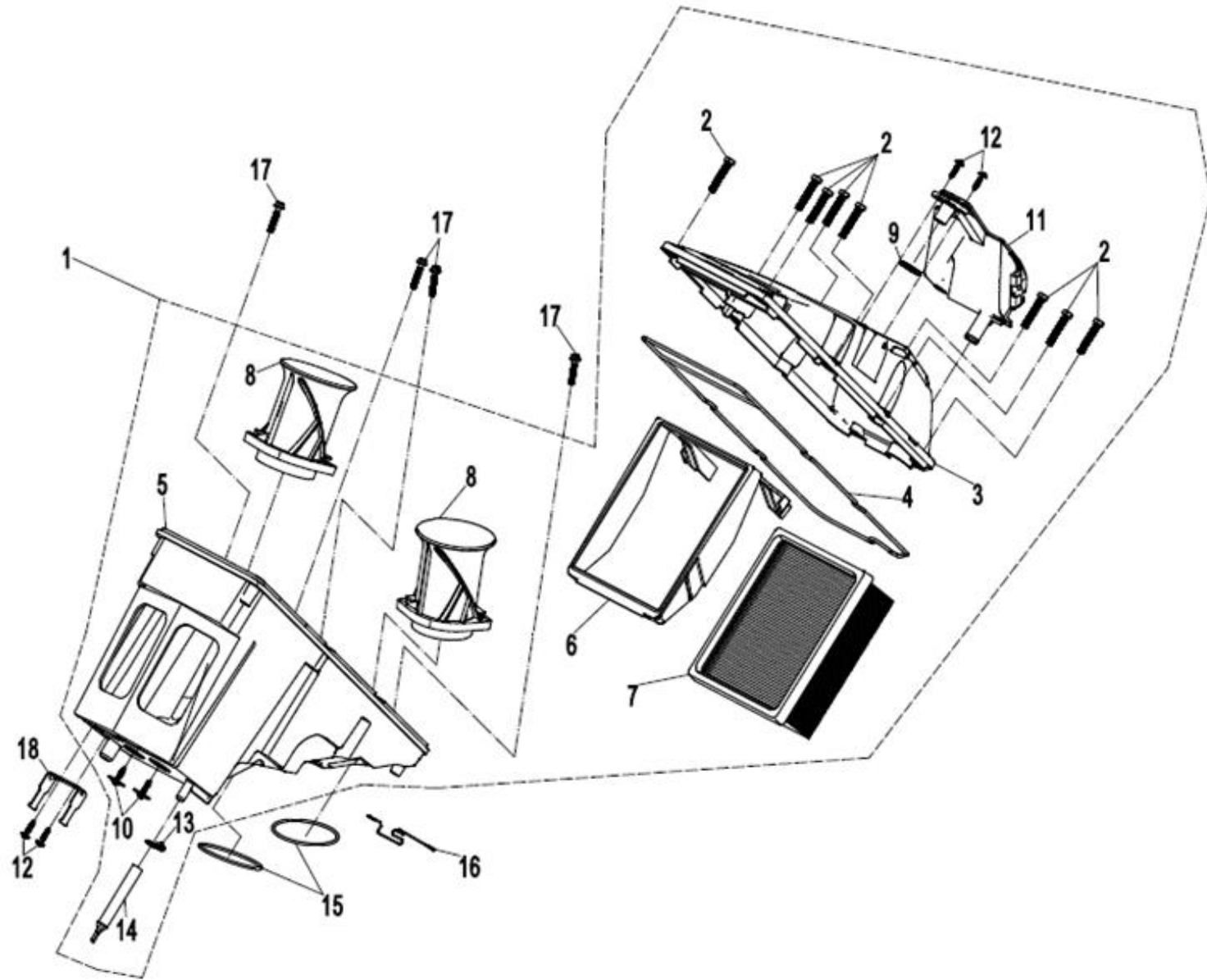
Item No.	Parts Number	Parts Name(EN)	Parts Name(CN)	Qty	Remarks
F22-01	6L30-222000-1VS00	RH REAR SIDE BOX ASSY (NEBULA WHITE)	右后边箱总成	1	ORDER UPON SO
F22-01	6L30-222000-1ET00	RH REAR SIDE BOX ASSY (TWILIGHT BLUE)	右后边箱总成	1	ORDER UPON SO
F22-02	6L30-221000-1VS00	LH REAR SIDE BOX ASSY (NEBULA WHITE)	左后边箱总成	1	ORDER UPON SO
F22-02	6L30-221000-1ET00	LH REAR SIDE BOX ASSY (TWILIGHT BLUE)	左后边箱总成	1	ORDER UPON SO
F22-03	6L30-221801	DECAL, LH SIDE BOX	左边箱开箱标贴	1	
F22-04	6L30-221802	DECAL, LH SIDE BOX	左边箱拆箱标贴	1	
F22-05	6L30-222802	DECAL, RH SIDE BOX	右边箱拆箱标贴	1	
F22-06	6L30-222801	DECAL, RH SIDE BOX	右边箱开箱标贴	1	

燃油蒸发系统/FUEL EXHALATION SYSTEM



Item No.	Parts Number	Parts Name(EN)	Parts Name(CN)	Qty	Remarks
F36-01	6L30-360200	CANISTER	碳罐	1	
F36-02	6L30-360002	FUEL VAPOR HOSE 2	燃油蒸气管II	1	
F36-03	6L30-360001	FUEL VAPOR HOSE I	燃油蒸气管I	1	
F36-04	6L30-360004	FUEL VAPOR HOSE 4	燃油蒸气管IV	1	
F36-05	9GQ0-360100	TWO-WAY VALVE	双向阀	1	
F36-06	6L30-360003	FUEL VAPOR HOSE 3	燃油蒸气管III	1	
F36-07	1F30-172000	CANISTER MAGNETIC VALVE	碳罐电磁阀	1	
F36-08	6L30-360006	FUEL VAPOR HOSE 6	燃油蒸气管VI	1	
F36-09	6L30-360005	FUEL VAPOR HOSE 5	燃油蒸气管V	1	
F36-10	8010-360001	VACUUM T-JOINT	负压三通接头	1	

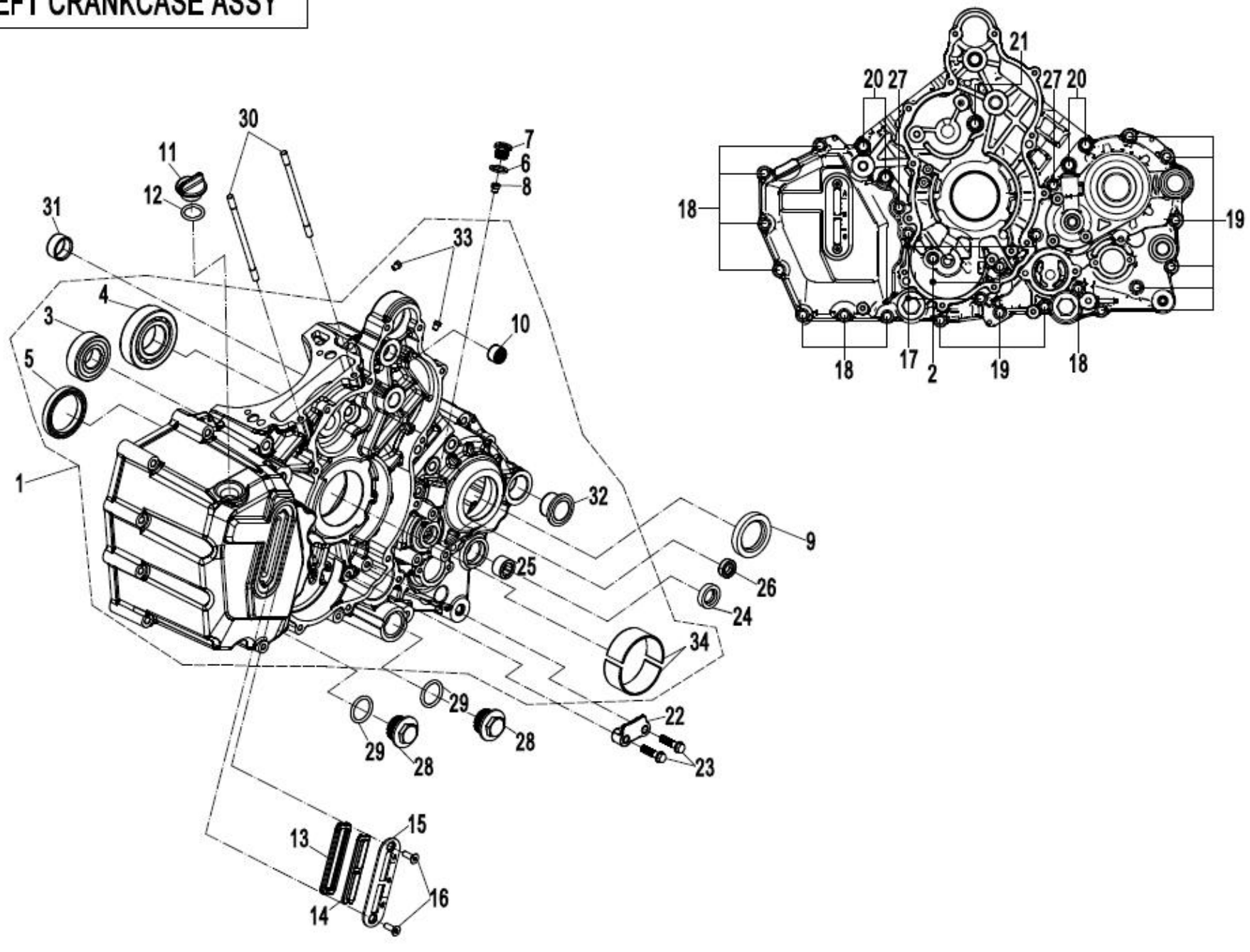
滤清器总成/AIR FILTER ASSY



Item No.	Parts Number	Parts Name(EN)	Parts Name(CN)	Qty	Remarks
F41-01	1F30-111000-10001	AIR FILTER SUB ASSY	空气滤清器分总成	1	
F41-02	1F30-111001	BOLT, AIR FILTER COVER	空滤器盖螺栓	8	
F41-03	1F30-111002-00001	AIR FILTER COVER	空滤器盖	1	
F41-04	1F30-111003	SEAL RING, AIR FILTER COVER	空滤器盖密封圈	1	
F41-05	1F30-111004-00001	AIR FILTER HOUSING	空滤器壳体	1	
F41-06	1F30-111005	LOCK PANEL, FILTER ELEMENT	滤芯固定框	1	
F41-07	1F30-111006	FILTER ELEMENT	滤芯	1	
F41-08	1F30-111007	AIR INLET PIPE, VALVE	阀体进气管	2	
F41-09	1F30-111008	SEAL RING	迷宫密封圈	1	
F41-10	1F30-111010	BOLT KIT	滤芯固定框螺栓组合	2	
F41-11	1F30-111020	MAZE ASSY	迷宫组合	1	
F41-12	30110-480160010	SCREW ST4.8x16	自攻螺钉 ST4.8x16	4	
F41-13	30601-110030	CLAMP A10	环箍 A10	1	ALT:- 30601-110010
F41-14	0700-111006	OIL STORAGE HOSE	储油管	1	
F41-15	1F30-110002	O-RING 66x2.5	O形圈	2	
F41-16	1F30-110003	STEEL WIRE HOOK	钢丝挂钩	1	
F41-17	1F30-110004	BOLT M5x27	螺栓 M5x27	4	
F41-18	1F30-110001-10000	BRACKET, GULP VALVE	二次补气阀安装支架	1	

E01-1 左曲轴箱组 LEFT CRANKCASE ASSY

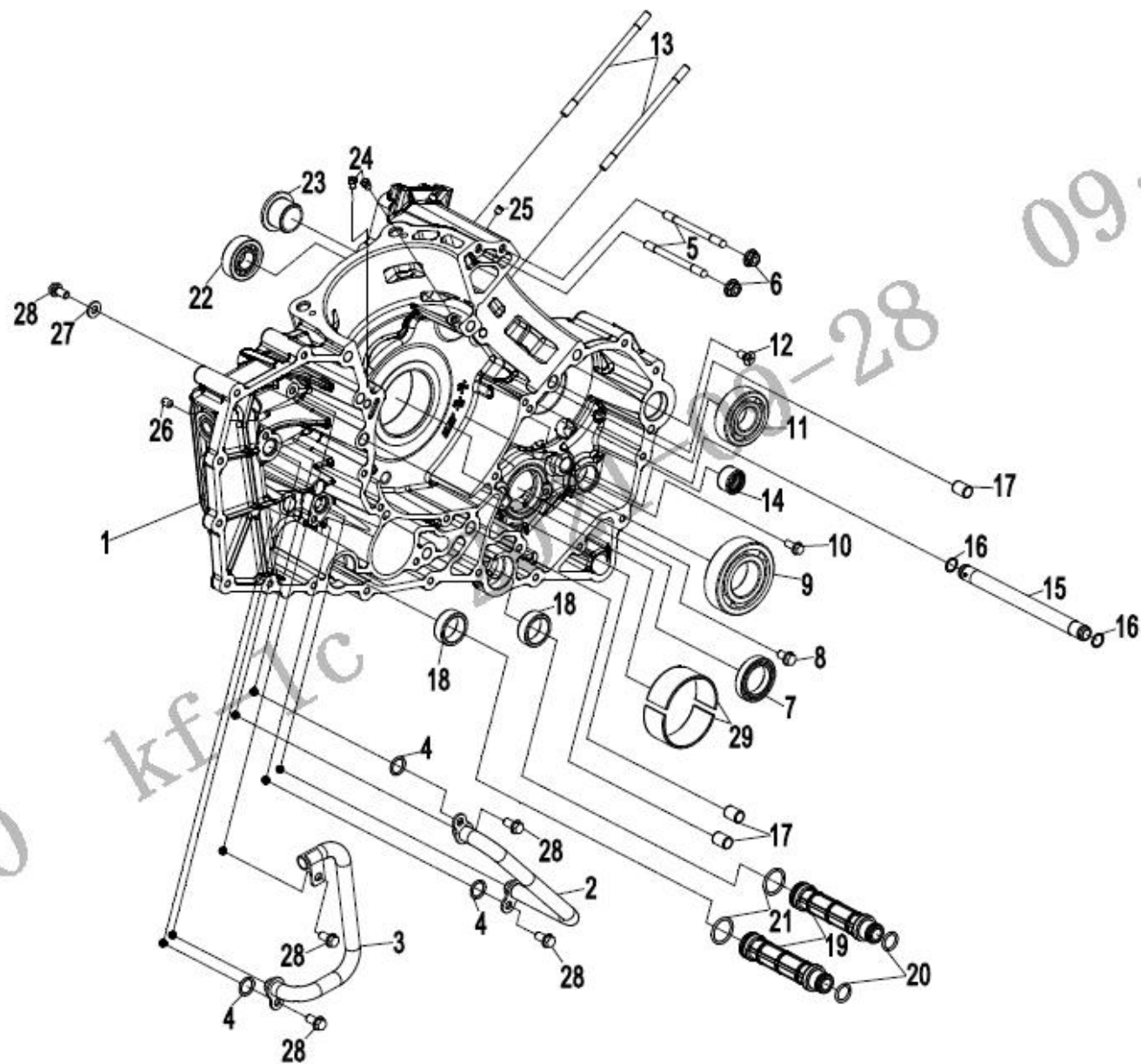
左曲轴箱组/LEFT CRANKCASE ASSY



Item No.	Parts Number	Parts Name(EN)	Parts Name(CN)	Qty	Remarks
E01-1-02	0A70-011005-00001	BOLT M6x75	螺栓_M6×75	2	
E01-1-03	30499-02009	BEARING	滚动轴承	1	
E01-1-04	1F30-011200	BEARING NJ206ET2XCS46	圆柱滚子轴承NJ206ET2×CS46	1	
E01-1-05	30400-04000	BEARING	滚动轴承	1	
E01-1-06	0800-022014	WASHER 12.2x18x1.5	垫圈 12.2x18x1.5	1	
E01-1-07	0010-022303-0020	SCREW PLUG M12x1	螺堵M12×1	1	
E01-1-08	1F30-011015	CHECK VALVE φ0.3	节流阀φ0.3	1	
E01-1-09	0180-012006-00001	OIL SEAL 30X45X8	油封 30x45x8	1	
E01-1-10	30403-01200	NEEDLE BEARING HK1210	滚针轴承HK1210	1	
E01-1-11	0A70-013005	BOLT PLUG, FUEL FILLING PORT	加油口螺塞	1	
E01-1-12	0A70-013006	O-SEAL RING 16.8x3.1	O形密封圈 16.8x3.1	1	
E01-1-13	1F30-011021	SEAL RING, GLASS WINDOW	观察玻璃密封圈	1	
E01-1-14	1F30-011019	GLASS WINDOW, OIL LEVEL	油位观察玻璃	1	
E01-1-15	1F30-011018-10000	PRESSING PLATE	压板	1	
E01-1-15	1F30-011018-1BP00	PRESS PLATE	压板	1	
E01-1-16	30122-050016170	SCREW	螺钉	2	
E01-1-17	1F30-011012	BOLT M6x98	螺栓 M6x98	3	
E01-1-18	0010-011017-0010	BOLT M6x60	螺栓 M6x60	8	
E01-1-19	0010-021018-0010	BOLT M6x55	螺栓 M6x55	9	
E01-1-20	0700-011002-00001	BOLT M8x120	螺栓 M8x120	4	
E01-1-21	1F30-011013	BOLT M8x112	螺栓 M8x112	1	
E01-1-22	1F30-011030	GUARD	起动大齿轮挡板组合	1	
E01-1-23	0010-021017-0010	BOLT M6x25	螺栓 M6x25	2	
E01-1-24	1F30-011600	OIL SEAL 14×24×6	油封 14x24x6	1	
E01-1-25	30403-01400	NEEDLE BEARING	滚针轴承	1	
E01-1-26	1F30-011500	OIL SEAL 9×18×6	油封	1	
E01-1-27	0030-011006-0010	BOLT M6x105	螺栓 M6x105	2	
E01-1-28	1F30-011002	SCREW PLUG M24×1.5	滤网螺塞	2	
E01-1-29	0180-080001	O-RING 21x2.5	O形圈 21x2.5	2	
E01-1-30	1F30-011011	STUD M6X109	双头螺柱 M6x109	2	
E01-1-31	1F30-011008	DOWEL PIN 24×20×12	定位销 24x20x12	1	
E01-1-32	1F30-011104	HANGING BUSH	吊耳衬套	1	
E01-1-33	1F30-011103	OIL NOZZLE (φ0.7)	机油喷嘴(φ0.7)	2	
E01-1-34	1F30-011102-00010	BEARING BUSH, CRANKCASE	曲轴箱轴瓦	2	
E01-1-34	1F30-011102-00020	BEARING BUSH, CRANKCASE	曲轴箱轴瓦	2	

E01-2 右曲轴箱组 RIGHT CRANKCASE ASSY

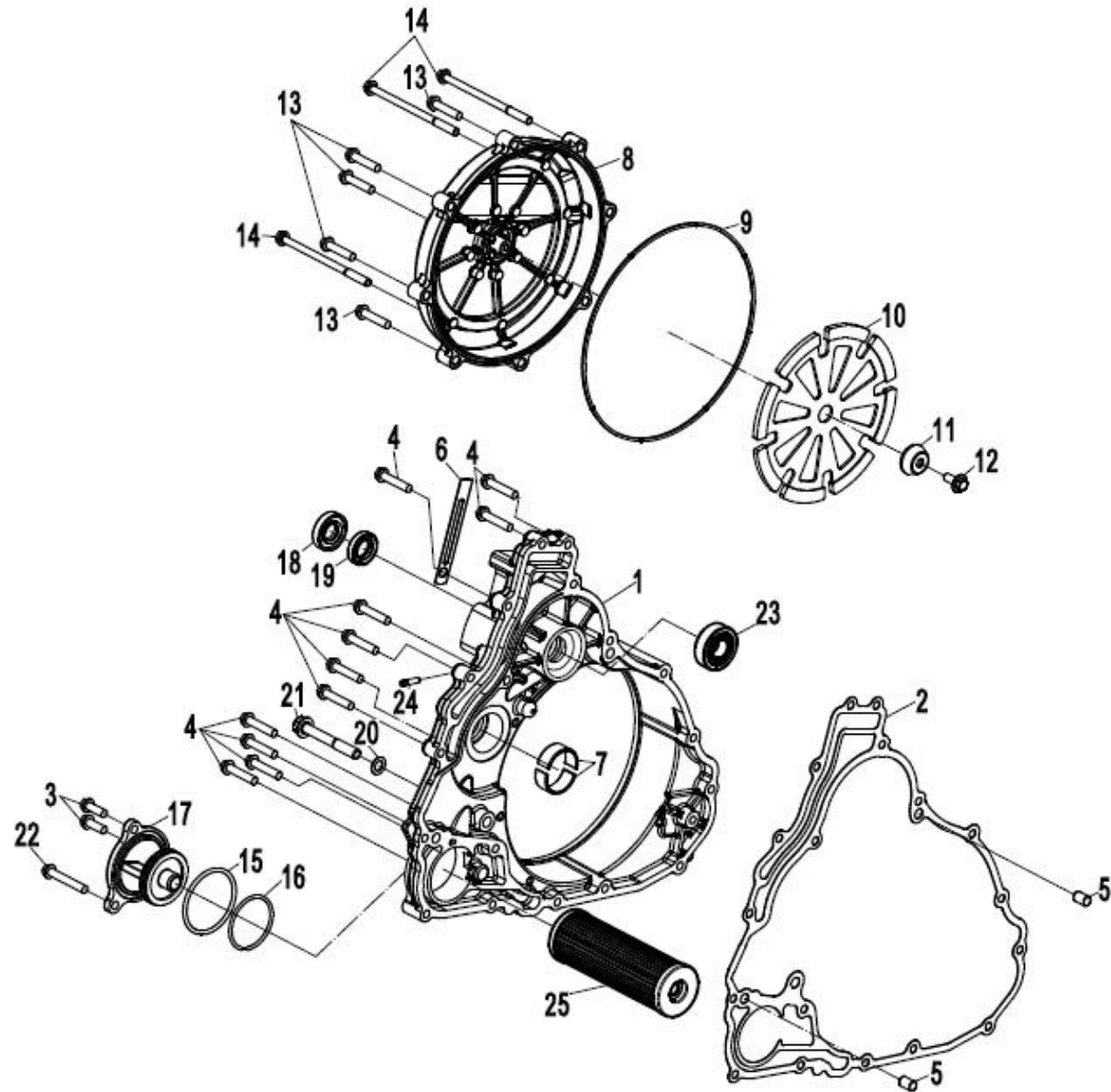
右曲轴箱组/RIGHT CRANKCASE ASSY



Item No.	Parts Number	Parts Name(EN)	Parts Name(CN)	Qty	Remarks
E01-2-01	1F30-012101-1B202	RH CRANKCASE	右曲轴箱	1	
E01-2-01	1F30-012101-1BP02	RH CRANKCASE	右曲轴箱	1	
E01-2-02	1F30-012600-10000	OIL PIPE	机油管组件I	1	
E01-2-03	1F30-012700-10000	OIL PIPE II	机油管组件II	1	
E01-2-04	30502-011002F	O-RING	O形圈	3	
E01-2-05	0180-022001-0020	STUD M6x70	双头螺柱	2	
E01-2-06	30202-060110	NUT M6	螺母 M6	2	ALT:- 30204-060810
E01-2-07	30400-02504	BEARING	深沟球轴承	1	
E01-2-08	0010-080010-00001	BOLT M6x10	螺栓	1	
E01-2-09	30499-03003	BEARING	滚动轴承	1	
E01-2-10	0700-012013-00001	BOLT M5x12	螺栓 M5x12	1	
E01-2-11	30499-02008	BEARING	滚动轴承	1	
E01-2-12	30107-060012410	SCREW M6x12	螺钉 M6x12	1	
E01-2-13	1F30-011011	STUD M6X109	双头螺柱	2	
E01-2-14	30403-01400	NEEDLE BEARING	滚针轴承	1	
E01-2-15	1F30-012410	OIL PIPE, GEAR	齿轮喷油管组件	1	
E01-2-16	1F30-012402	O-RING 10x1	O形圈	2	
E01-2-17	0010-021005	DOWEL PIN 10x14	定位销Φ10×14	3	
E01-2-18	1F30-012003	AXLE SLEEVE	轴套	2	
E01-2-19	1F30-012510	FILTER SCREEN	机油箱滤网组合	2	
E01-2-20	0DM0-011006	O-SEAL RING 13x2	O形密封圈	2	
E01-2-21	1F30-024014	O-SEAL RING 17x2	O型密封圈	2	
E01-2-22	1F30-012120	BEARING NJ202	圆柱滚子轴承NJ202	1	
E01-2-23	1F30-011104	HANGING BUSH	吊耳衬套	1	
E01-2-24	1F30-011103	OIL NOZZLE (Φ0.7)	机油喷嘴(Φ0.7)	2	
E01-2-25	0700-066006-00002	OIL LIMIT PLUG	限油螺咀	1	
E01-2-26	01A0-023003	RESTRICTION PLUG	节流塞	1	
E01-2-27	0010-060009	WASHER 6	垫圈6	1	
E01-2-28	0010-021019-0010	BOLT M6x12	螺栓 M6×12	5	
E01-2-29	1F30-011102-00010	BEARING BUSH, CRANKCASE	曲轴箱轴瓦	2	
E01-2-29	1F30-011102-00020	BEARING BUSH, CRANKCASE	曲轴箱轴瓦	2	

E01-3 右侧盖分总成 RIGHT SIDE COVER

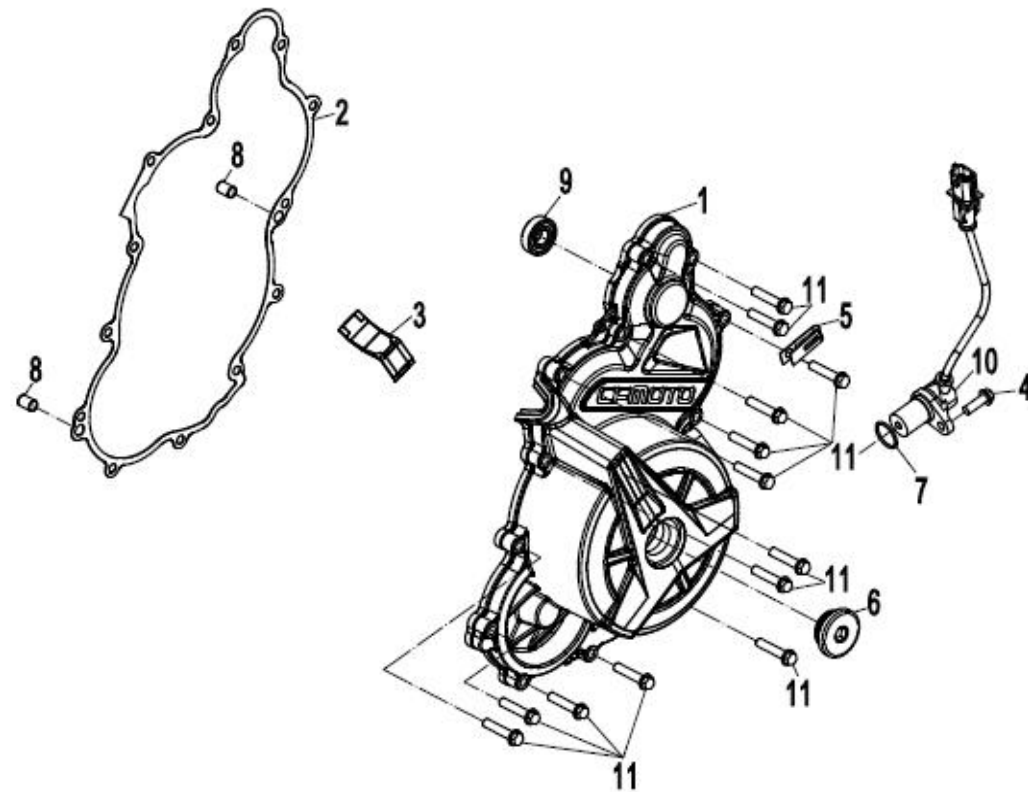
右侧盖分总成/RIGHT SIDE COVER



Item No.	Parts Number	Parts Name(EN)	Parts Name(CN)	Qty	Remarks
E01-3-01	1F30-013111-5BP01	RH INNER SIDE COVER	右内侧盖	1	
E01-3-02	1F30-013001	GASKET, RIGHT INNER COVER	右侧内盖垫片	1	
E01-3-03	0010-023008-00001	BOLT M6x18	螺栓 M6x18	2	
E01-3-04	0010-060012-0010	BOLT M6x30	螺栓 M6x30	11	
E01-3-05	30410-00800	ROLLER	圆柱滚子	2	
E01-3-06	0180-014010	WIRE CLIP	线夹组合	1	
E01-3-07	1F30-013102	PLAIN BEARING, RIGHT INNER COVER	右侧内盖轴瓦	2	
E01-3-08	1F30-013201-3VR00	RH OUTER COVER	右侧外盖	1	
E01-3-08	1F30-013201-3H700	RH OUTER COVER	右侧外盖	1	
E01-3-09	1F30-013203	SEAL RING, RIGHT OUTER COVER	右侧外盖密封圈	1	
E01-3-10	1F30-013210	RUBBER ASSY	降噪铁板橡胶组合	1	
E01-3-11	1F30-013202	CUSHION BLOCK	垫块	1	
E01-3-12	1F30-080001	BOLT M6x12	螺栓 M6x12	1	
E01-3-13	0010-070003-00001	BOLT M6x28	螺栓 M6x28	5	
E01-3-14	1F30-011012	BOLT M6x98	螺栓 M6x98	3	
E01-3-15	1F30-013105	O-RING 48x3	O形圈 48x3	1	
E01-3-16	0180-022011	O-SEAL RING 40x2.4	O形密封圈 40x2.4	1	
E01-3-17	1F30-013106-0B201	FILTER COVER	滤芯盖	1	
E01-3-17	1F30-013106-0BP01	FILTER COVER	滤芯盖	1	
E01-3-18	1F30-013140-10000	OIL SEAL 15x30x7	油封 15x30x7	1	
E01-3-18	1F30-013140-10000	OIL SEAL	油封	1	
E01-3-19	0800-011203	OIL SEAL	油封 15x26x6	1	ALT:- 0800-011203-10000
E01-3-20	0010-021016	WASHER 8	垫圈8	1	
E01-3-21	0700-012004-00002	BOLT M8x60	螺栓 M8x60	1	
E01-3-22	0010-013009-0010	BOLT M6x40	螺栓 M6x40	1	
E01-3-23	1F30-012120	BEARING NJ202	圆柱滚子轴承NJ202	1	
E01-3-24	01A0-022102	PIPE JOINT	管接头	1	
E01-3-25	1F30-013300	FILTER ELEMENT	滤芯组件	1	

E01-4 左侧盖分总成 LEFT SIDE COVER

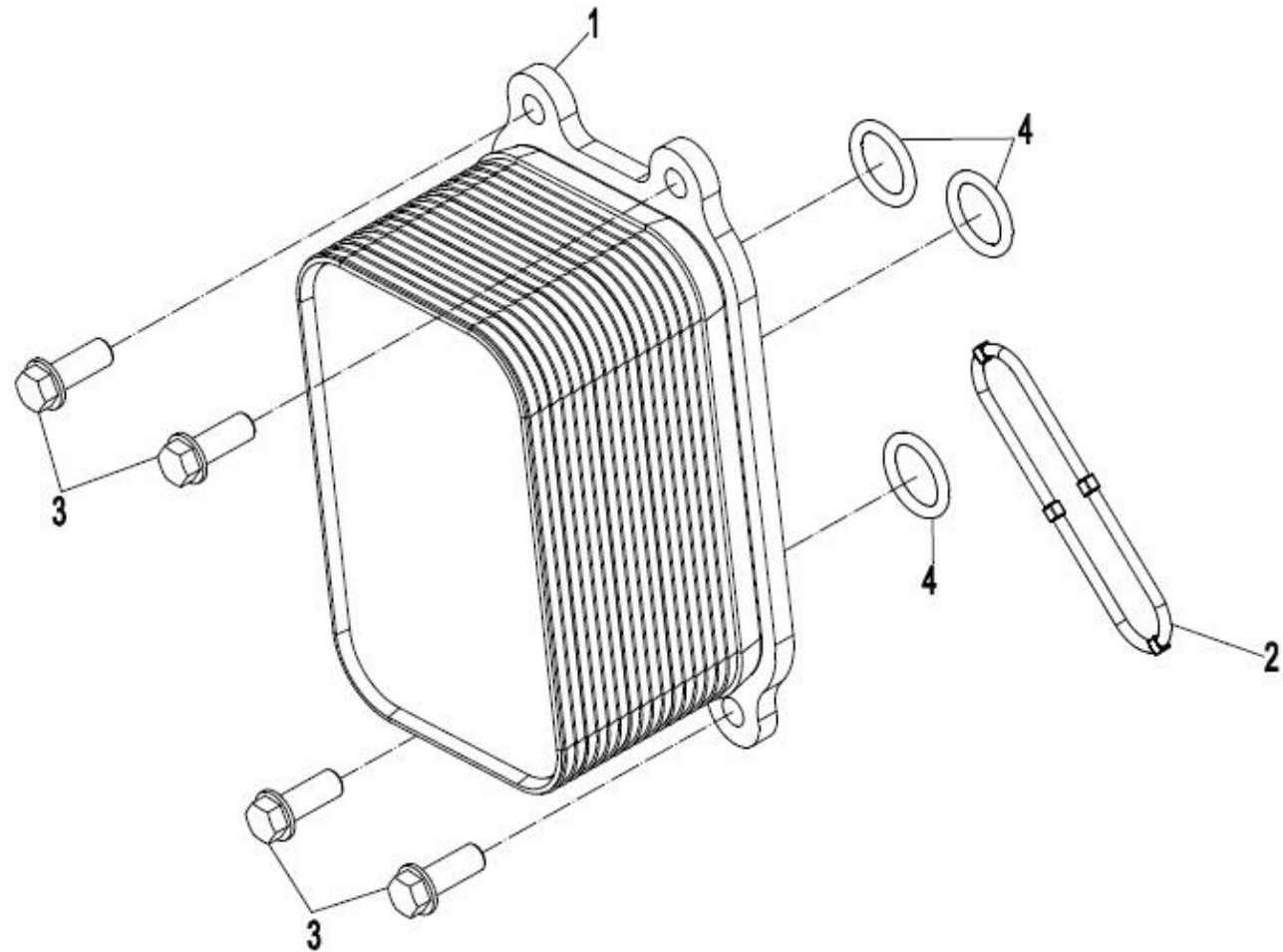
左侧盖分总成/LEFT SIDE COVER



Item No.	Parts Number	Parts Name(EN)	Parts Name(CN)	Qty	Remarks
E01-4-01	1F30-014001-2H701	LH SIDE COVER	左侧盖	1	
E01-4-01	1F30-014001-2HB01	LH SIDE COVER	左侧盖	1	
E01-4-01	1F30-014001-2VR01	LH SIDE COVER	左侧盖	1	
E01-4-02	1F30-014002	GASKET, LEFT SIDE COVER	左侧盖垫片	1	
E01-4-03	1F30-014003	PRESS PLATE	压线板	1	
E01-4-04	0010-023008-00001	BOLT M6x18	螺栓	1	
E01-4-05	0180-014010	WIRE CLIP	线夹组合	1	
E01-4-06	0A70-014005-0VR00	SCREW PLUG, LH FRONT SIDE COVER	左前侧盖螺盖	1	
E01-4-07	0A70-014006	O-SEAL RING 22.7x3.1	O型密封圈 22.7x3.1	1	
E01-4-08	30410-00800	ROLLER	圆柱滚子	2	
E01-4-09	30400-01208	BEARING	滚动轴承	1	
E01-4-10	0800-014100-1000	RPM SENSOR	转速传感器	1	
E01-4-11	0010-060012-0010	BOLT M6x30	螺栓 M6x30	13	

E01-5 机油冷却器分总成 OIL COOLER ASSY

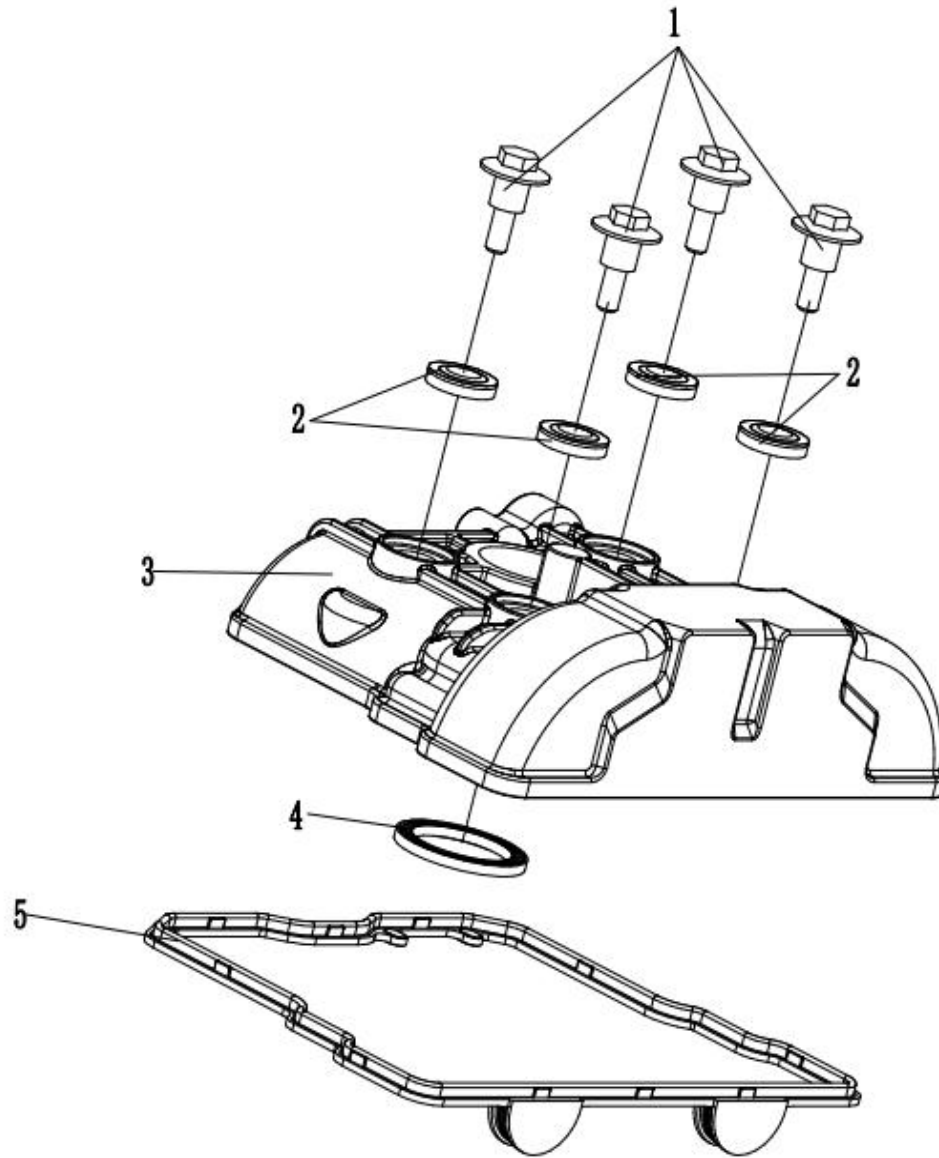
机油冷却器分总成/OIL COOLER ASSY



Item No.	Parts Number	Parts Name(EN)	Parts Name(CN)	Qty	Remarks
E01-5-01	1F30-015100	OIL COOLER ASSY	机油冷却器组件	1	
E01-5-01	1F30-015100-0BP00	OIL COOLER ASSY	机油冷却器组件	1	
E01-5-02	1F30-015001-00001	SEAL RING	密封圈	1	
E01-5-03	0010-090005-0010	BOLT M6x16	螺栓	4	
E01-5-04	0700-070003	O-SEAL RING 14x2.5	O形密封圈	3	

E02-1 前气缸盖罩分总成 FRONT CYLINDER HEAD COVER

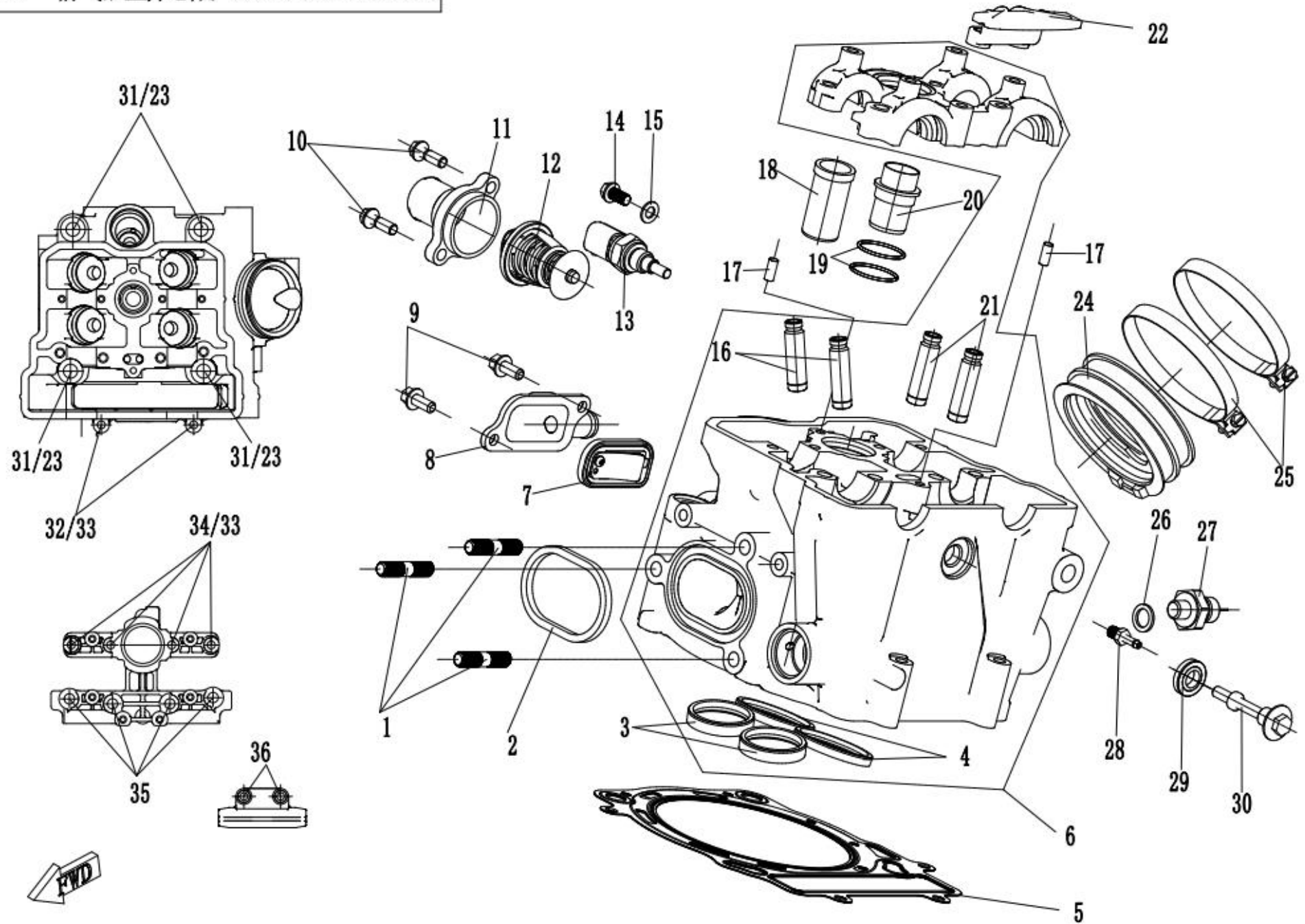
E02-1 前气缸盖罩分总成 FRONT CYLINDER HEAD COVER



Item No.	Parts Number	Parts Name(EN)	Parts Name(CN)	Qty	Remarks
E02-1-01	0700-021003-00001	BOLT, CYLINDER HEAD COVER	气缸盖罩螺栓	4	
E02-1-02	0700-021200	SEAL RING, CYLINDER HEAD COVER BOLT	气缸盖罩螺栓密封圈	4	
E02-1-03	1F30-021001-1H700	FIRST CYLINDER HEAD COVER	前气缸盖罩	1	
E02-1-03	1F30-021001-1VR00	FIRST CYLINDER HEAD COVER	前气缸盖罩	1	
E02-1-04	1F30-021004	SEAL GASKET, SPARK PLUG SLEEVE	火花塞套密封垫	1	
E02-1-05	1F30-021002	SEAL GASKET, CYLINDER HEAD COVER	气缸盖罩密封垫	1	

E02-2 前气缸盖分总成 FRONT CYLINDER HEAD

E02-2 前气缸盖分总成 FRONT CYLINDER HEAD

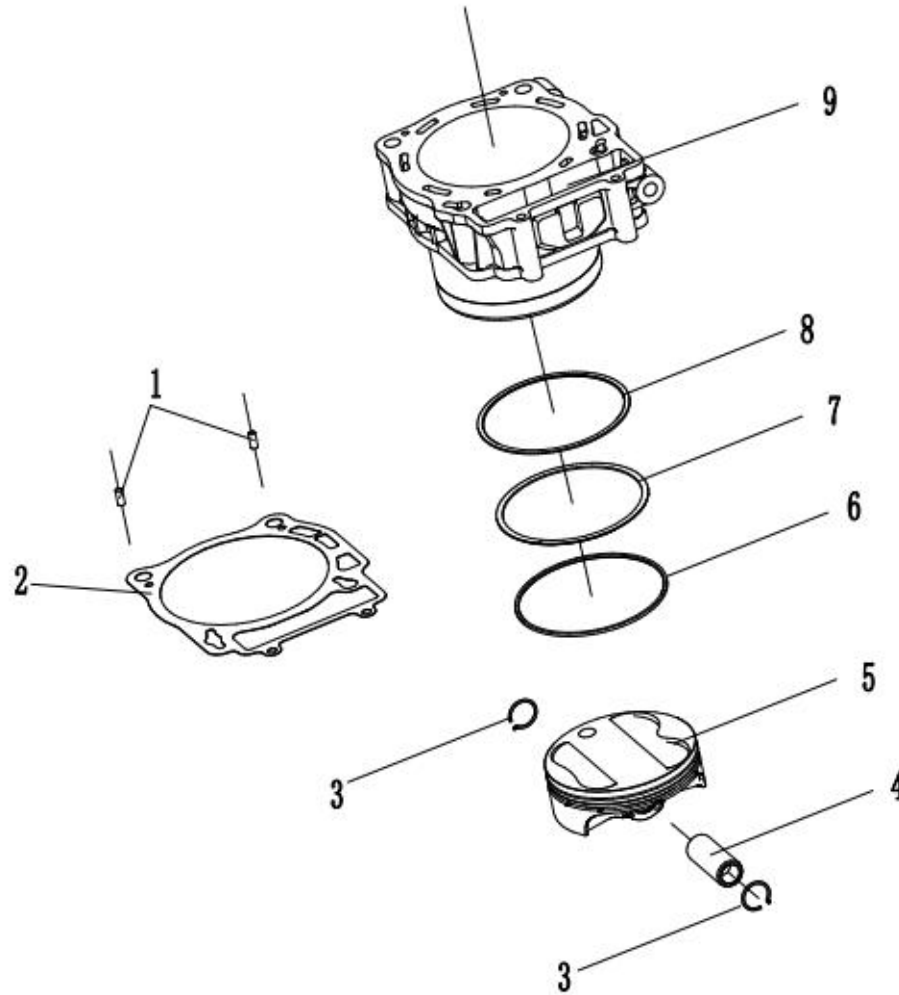


Item No.	Parts Number	Parts Name(EN)	Parts Name(CN)	Qty	Remarks
E02-2-01	1F30-022012	STUD M8X37	双头螺柱	3	
E02-2-02	1F30-022020	GASKET, EXHAUST PIPE	排气管衬垫	1	
E02-2-03	1F30-022213	RING, AIR EXHAUST VALVE SEAT	排气门座圈	2	
E02-2-04	1F30-022212	RING, AIR INTAKE VALVE SEAT	进气门座圈	2	
E02-2-05	1F30-022600	GASKET, CYLINDER HEAD	气缸盖垫片组件	1	
E02-2-06	1F30-022200-0B201	FIRST CYLINDER HEAD	前气缸盖部件	1	
E02-2-06	1F30-022200-0BP01	FIRST CYLINDER HEAD	前气缸盖部件	1	
E02-2-07	1F30-026100-10000	SPRING VALVE ASSY	簧片阀组合	1	
E02-2-08	1F30-026001-2BP00	SPRING VALVE CAP	簧片阀盖	1	
E02-2-09	0010-090005-0010	BOLT M6x16	螺栓 M6x16	2	
E02-2-10	0010-023008-00001	BOLT M6x18	螺栓 M6x18	2	
E02-2-11	1F30-022014-10000	THERMOSTAT CAP	节温器盖	1	
E02-2-11	1F30-022014-1BP00	THERMOSTAT CAP	节温器盖	1	
E02-2-12	1F30-022900	THERMOSTAT ASSY	节温器组件	1	
E02-2-13	018B-022810	WATER TEMPERATURE SENSOR	水温传感器	1	
E02-2-14	0010-021019-0010	BOLT M6x12	螺栓 M6x12	1	
E02-2-15	0010-080011	WASHER 6x12x1	垫圈 6x12x1	1	
E02-2-16	1F30-022214	EXHAUST VALVE GUIDE	排气门导管	2	
E02-2-17	30406-00500	ROLLER NEEDLE P5x11.8	滚针 P5x11.8	2	
E02-2-18	1F30-022016	SLEEVE, SPARK PLUG	火花塞压套	1	
E02-2-18	1F30-022016-10000	SPARK PLUG SLEEVE	火花塞压套	1	
E02-2-19	1F30-022018	O-SEAL RING 29.87X1.78	O形密封圈	2	
E02-2-20	1F30-022017	SLEEVE, SPARK PLUG	火花塞套	1	
E02-2-20	1F30-022017-10000	SPARK PLUG SLEEVE	火花塞套	1	
E02-2-21	1F30-022215	INTAKE VALVE GUIDE	进气门导管	2	
E02-2-22	1F30-022800	CHAIN GUIDE BLOCK	导链块组件	1	
E02-2-23	1F30-022005	WASHER 11.5X20X2.3	垫圈	4	
E02-2-24	1F30-022009	AIR INLET PIPE	进气管	1	
E02-2-25	1F30-022700	CLAMP 75	卡箍75	2	
E02-2-26	0010-060010	WASHER 10	垫圈10	1	
E02-2-27	0800-012400	OIL PRESSURE SWITCH	机油压力开关	1	
E02-2-28	1F30-022015	CONNECTOR, VACUUM PIPE	负压管接头	1	
E02-2-29	0700-021200	SEAL RING, CYLINDER HEAD COVER BOLT	气缸盖罩螺栓密封圈	1	
E02-2-30	0DM0-022008	BOLT, CYLINDER HEAD	缸盖减震螺栓	1	ALT:- 0DM0-022008-00001
E02-2-31	1F30-022011	CYLINDER BOLT M11x1.5x145	气缸螺栓	4	

Item No.	Parts Number	Parts Name(EN)	Parts Name(CN)	Qty	Remarks
E02-2-32	30212-060810	CAP-SHAPE BOLT M6	螺母M6	2	
E02-2-33	0060-030004-0030	WASHER 6x10.4x1.6	垫圈 6x10.4x1.6	6	
E02-2-35	1F30-022202-10000	INNER HEX SCREW M8x30	内六角圆柱头螺钉 M8x30	4	
E02-2-36	0010-023010-0010	BOLT M6x20	螺栓 M6x20	2	

E02-3 气缸体分总成 CYLINDER BODY

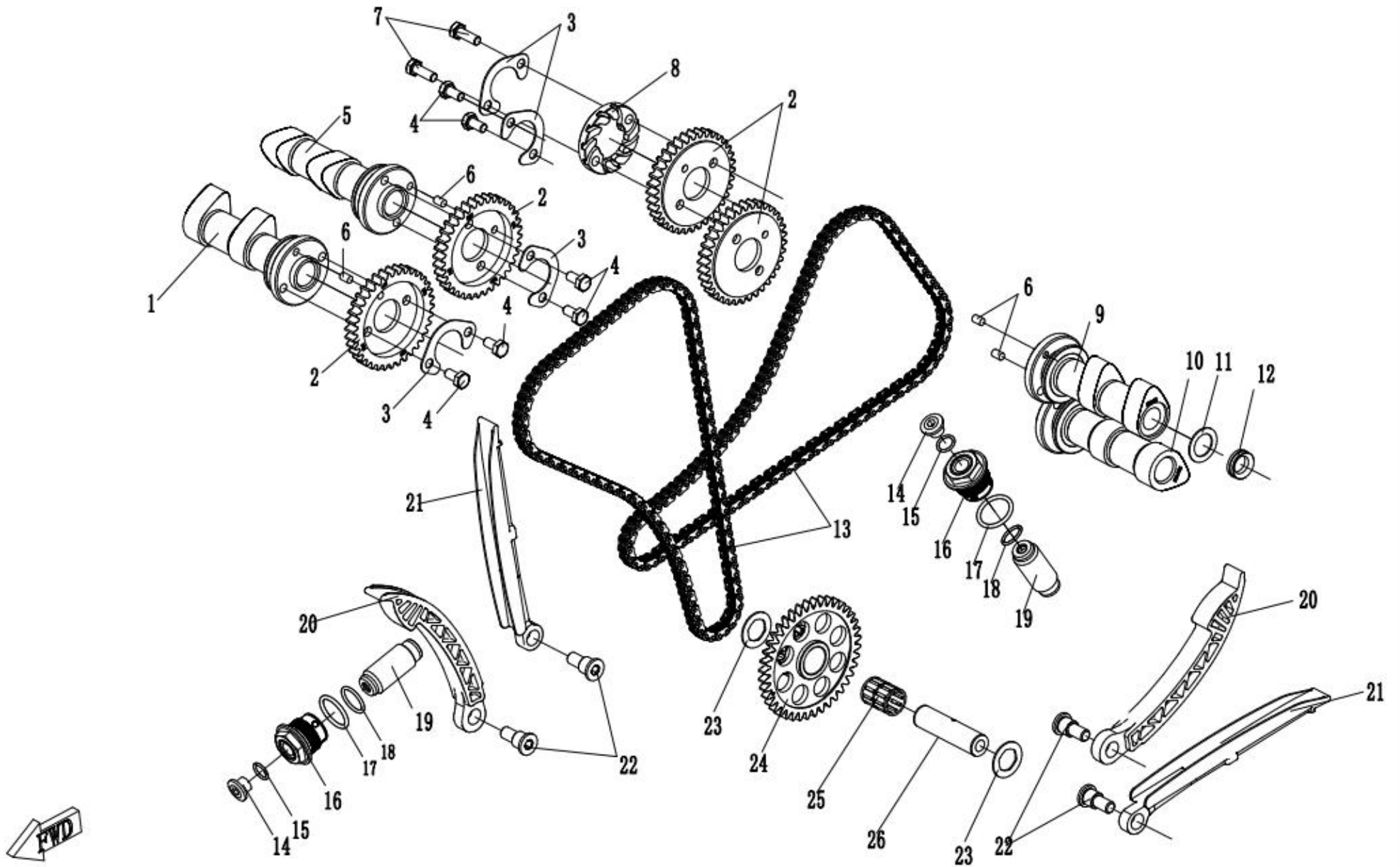
E02-3 气缸体分总成 CYLINDER BODY



Item No.	Parts Number	Parts Name(EN)	Parts Name(CN)	Qty	Remarks
E02-3-01	30406-00500	ROLLER NEEDLE P5x11.8	滚针 P5x11.8	8	
E02-3-02	1F30-023002	GASKET, CYLINDER BODY	气缸体垫片	2	
E02-3-02	1F30-023002-10000	GASKET, CYLINDER	气缸体垫片	2	
E02-3-03	1F30-040002	CIRCLIP, PISTON PIN	活塞销挡圈	4	
E02-3-04	1F30-040003	PISTON PIN	活塞销	2	
E02-3-05	1F30-040001-00010	PISTON	活塞	2	
E02-3-05	1F30-040001-00020	PISTON	活塞	2	
E02-3-06	1F30-040110	OIL RING COMP.	油环组合	2	
E02-3-07	1F30-040102	SECOND COMPRESSION RING	第二道气环	2	
E02-3-08	1F30-040101	TOP COMPRESSION RING	第一道气环	2	
E02-3-09	1F30-023001-0B200	CYLINDER BODY (MATTE BLACK)	气缸体	2	
E02-3-09	1F30-023001-0B210	CYLINDER BODY	气缸体	2	
E02-3-09	1F30-023001-0BP00	CYLINDER BODY	气缸体	2	

E02-4 配气传动分总成 CAMSHAFT

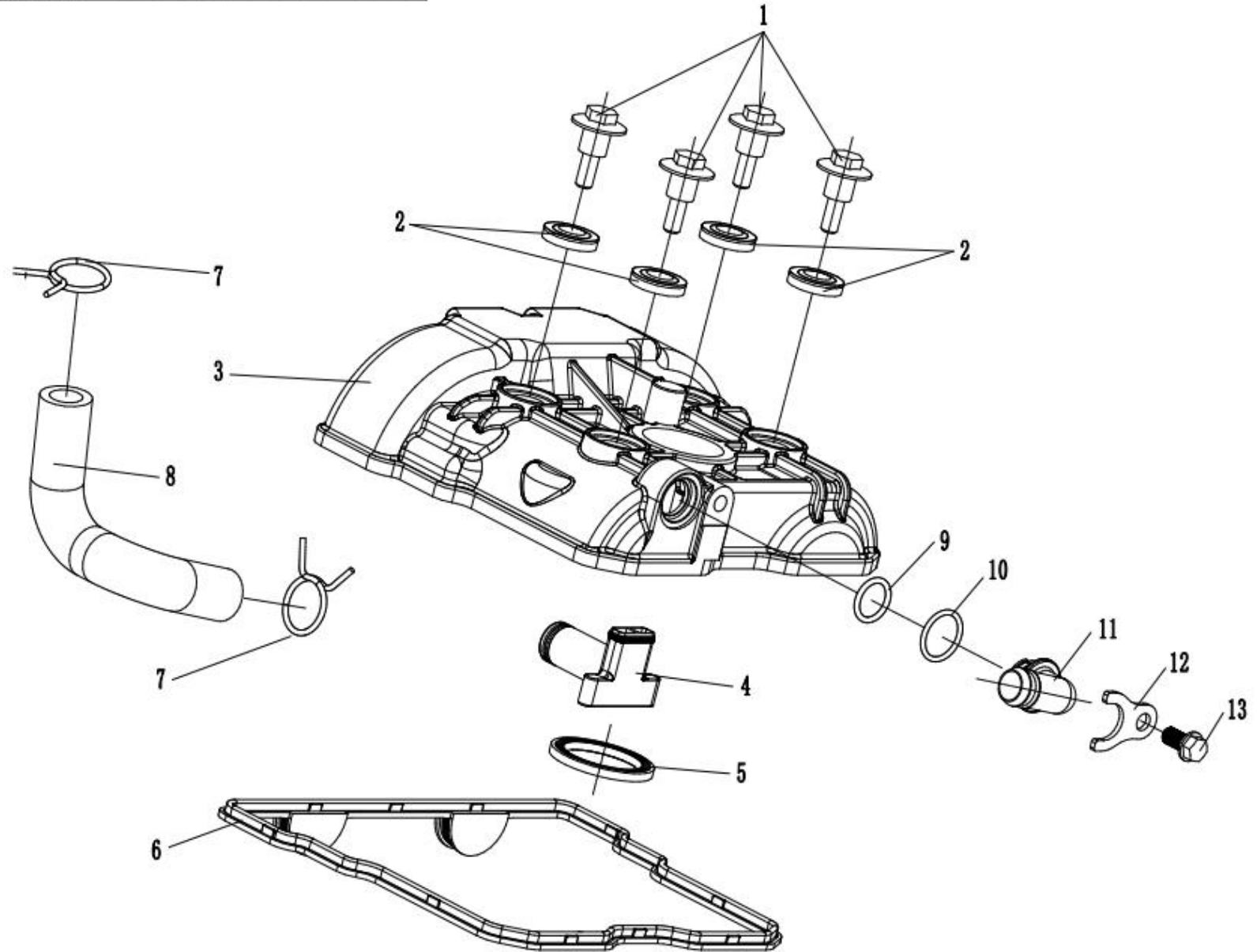
E02-4 配气传动分总成 CAMSHAFT



Item No.	Parts Number	Parts Name(EN)	Parts Name(CN)	Qty	Remarks
E02-4-01	1F30-024001	EXHAUST CAMSHAFT, FRONT CYLINDER	前缸排气凸轮轴	1	
E02-4-02	1F30-024005	TIMING DRIVEN SPROCKET	正时从动链轮	4	
E02-4-03	0700-024003	RETAINER	止动挡片	4	
E02-4-04	30004-060012150	BOLT	螺栓	6	
E02-4-05	1F30-024002	INTAKE CAMSHAFT, FRONT CYLINDER	前缸进气凸轮轴	1	
E02-4-06	30406-00501	ROLLER NEEDLE P5x7.8	滚针P5X7.8	4	
E02-4-07	1F30-024012	BOLT M6x18	螺栓 M6X18	2	
E02-4-08	1F30-024013	CENTRIFUGAL WHEEL	离心轮	1	
E02-4-09	1F30-024004-10000	CAMSHAFT, AIR INTAKE	后缸进气凸轮轴	1	
E02-4-10	1F30-024003	EXHAUST CAMSHAFT, REAR CYLINDER	后缸排气凸轮轴	1	
E02-4-11	1F30-024015	WASHER 16X24X1	垫圈	1	
E02-4-12	1F30-024016	OIL SEAL, SURFACE	端面油封	1	
E02-4-13	1F30-024100-10000	TIMING CHAIN	正时链条	2	
E02-4-14	1F30-024202	PLUG	堵头	2	
E02-4-15	0060-022001	O-SEAL RING	O形密封圈10×1.6	2	
E02-4-16	1F30-024201	BOLT PLUG	螺塞	2	
E02-4-17	0180-080001	O-RING 21x2.5	O形圈 21x2.5	2	
E02-4-18	1F30-024014	O-SEAL RING 17×2	O型密封圈	2	
E02-4-19	1F30-024300	HYDRAULIC TENSIONOR	液压张紧器组件	2	
E02-4-20	1F30-024007	TENSION PLATE	张紧板	2	
E02-4-20	1F30-024007-20000	TENSION PLATE	张紧板	1	
E02-4-21	1F30-024006	CHAIN GUIDE	链条导板	2	
E02-4-22	1F30-024008	FIX BOLT, TENSION PLATE	张紧板固定螺栓	4	
E02-4-22	1F30-024008-10000	FIX BOLT, TENSION PLATE	张紧板固定螺栓	4	
E02-4-23	1F30-090001	WASHER 15.2X25X1	垫圈	2	
E02-4-24	1F30-024009	TIMING DRIVE SPROCKET, FRONT CYLINDER	前缸正时双联主动链轮	1	
E02-4-24	1F30-024009-00001	TIMING DUAL SPROCKET, FIRST CYLINDER	前缸正时双联主动链轮	1	
E02-4-25	1F30-024020-10000	NEEDLE BEARING K15x19x24ZWT	滚针轴承	1	
E02-4-26	1F30-024011-10000	TIMING SPROCKET SHAFT, FIRST CYLINDER	前缸正时主动链轮轴	1	

E02-5 后气缸盖罩分总成 REAR CYLINDER HEAD COVER

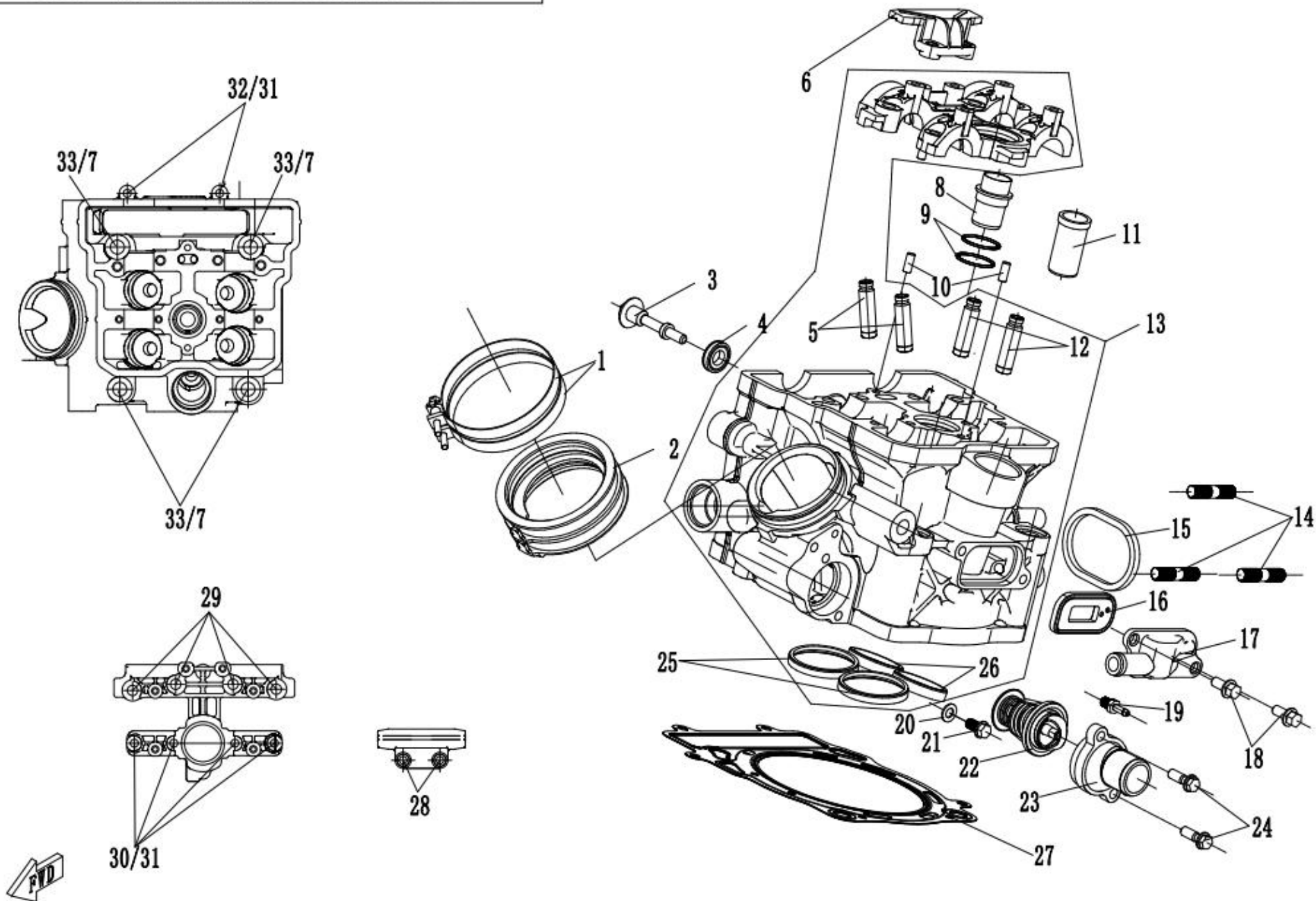
F02-5后气缸盖罩分总成 REAR CYLINDER HEAD COVER



Item No.	Parts Number	Parts Name(EN)	Parts Name(CN)	Qty	Remarks
E02-5-01	0700-021003-00001	BOLT, CYLINDER HEAD COVER	气缸盖罩螺栓	4	
E02-5-02	0700-021200	SEAL RING, CYLINDER HEAD COVER BOLT	气缸盖罩螺栓密封圈	4	
E02-5-03	1F30-025001-1H700	SECOND CYLINDER HEAD COVER	后气缸盖罩	1	
E02-5-03	1F30-025001-1VR00	SECOND CYLINDER HEAD COVER	后气缸盖罩	1	
E02-5-03	1F30-025001-1BP00	SECOND CYLINDER HEAD COVER	后气缸盖罩	1	
E02-5-04	1F30-025004	AIR OUTLET PIPE, ENGINE	发动机出气过渡管	1	
E02-5-05	1F30-021004	SEAL GASKET, SPARK PLUG SLEEVE	火花塞套密封垫	1	
E02-5-06	1F30-021002	SEAL GASKET, CYLINDER HEAD COVER	气缸盖罩密封垫	1	
E02-5-07	30601-118021	CLAMP A18	环箍A18	2	
E02-5-08	1F30-025005	EXHAUST PIPE	废气管	1	
E02-5-09	0DM0-011006	O-SEAL RING 13x2	O形密封圈	1	
E02-5-10	30502-016000F	O-RING 16x1.8	O形圈16x1.8	1	
E02-5-11	1F30-025002	JOINT, EXHAUST PIPE	废气管接头	1	
E02-5-12	1F30-025003	PLATE	压板	1	
E02-5-13	0010-021019-0010	BOLT M6x12	螺栓 M6x12	1	

E02-6 后气缸盖分总成 REAR CYLINDER HEAD

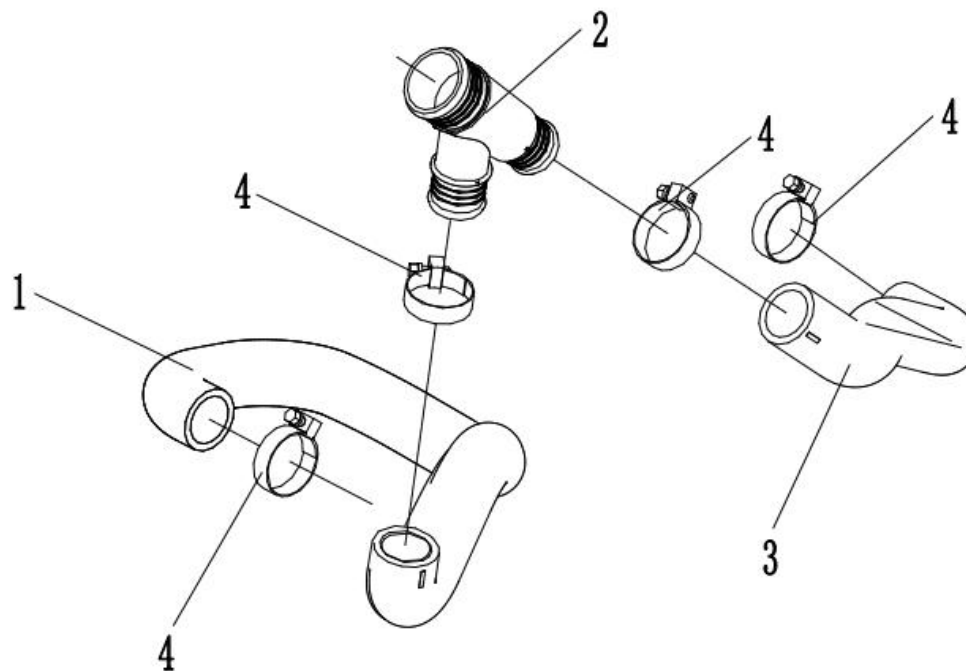
E02-6 后气缸盖分总成 REAR CYLINDER HEAD



Item No.	Parts Number	Parts Name(EN)	Parts Name(CN)	Qty	Remarks
E02-6-01	1F30-022700	CLAMP 75	卡箍75	2	
E02-6-02	1F30-022009	AIR INLET PIPE	进气管	1	
E02-6-03	0DM0-022008	BOLT, CYLINDER HEAD	缸盖减震螺栓	1	ALT:- 0DM0-022008-00001
E02-6-04	0700-021200	SEAL RING, CYLINDER HEAD COVER BOLT	气缸盖罩螺栓密封圈	1	
E02-6-05	1F30-022215	INTAKE VALVE GUIDE	进气门导管	2	
E02-6-06	1F30-022800	CHAIN GUIDE BLOCK	导链块组件	1	
E02-6-07	1F30-022005	WAHSER 11.5X20X2.3	垫圈	4	
E02-6-08	1F30-022017	SLEEVE, SPARK PLUG	火花塞套	1	
E02-6-08	1F30-022017-10000	SPARK PLUG SLEEVE	火花塞套	1	
E02-6-09	1F30-022018	O-SEAL RING 29.87X1.78	O形密封圈	2	
E02-6-10	30406-00500	ROLLER NEEDLE P5x11.8	滚针 P5x11.8	2	
E02-6-11	1F30-022016	SLEEVE, SPARK PLUG	火花塞压套	1	
E02-6-11	1F30-022016-10000	SPARK PLUG SLEEVE	火花塞压套	1	
E02-6-12	1F30-022214	EXHAUST VALVE GUIDE	排气门导管	2	
E02-6-13	1F30-026200-0BP00	SECOND CYLINDER HEAD ASSY	后气缸盖部件	1	
E02-6-14	1F30-022012	STUD M8X37	双头螺柱	3	
E02-6-15	1F30-022020	GASKET, EXHAUST PIPE	排气管衬垫	1	
E02-6-16	1F30-026100-10000	SPRING VALVE ASSY	簧片阀组合	1	
E02-6-17	1F30-026001-2BP00	SPRING VALVE CAP	簧片阀盖	1	
E02-6-18	0010-090005-0010	BOLT M6x16	螺栓 M6x16	2	
E02-6-19	1F30-022015	CONNECTOR, VACUUM PIPE	负压管接头	1	
E02-6-20	0010-080011	WASHER 6x12x1	垫圈 6x12x1	1	
E02-6-21	0010-021019-0010	BOLT M6x12	螺栓 M6x12	1	
E02-6-22	1F30-022900	THERMOSTAT ASSY	节温器组件	1	
E02-6-23	1F30-022014-10000	THERMOSTAT CAP	节温器盖	1	
E02-6-24	0010-023008-0010	BOLT M6x18	螺栓 M6x18	2	ALT:- 0010-023008-00001
E02-6-25	1F30-022212	RING, AIR INTAKE VALVE SEAT	进气门座圈	2	
E02-6-26	1F30-022213	RING, AIR EXHAUST VALVE SEAT	排气门座圈	2	
E02-6-27	1F30-022600	GASKET, CYLINDER HEAD	气缸盖垫片组件	1	
E02-6-28	0010-023010-0010	BOLT M6x20	螺栓 M6x20	2	
E02-6-29	1F30-022202-10000	INNER HEX SCREW M8x30	内六角圆柱头螺钉 M8x30	4	
E02-6-30	0060-030003-0030	INNER HEX SCREW M6x30	内六角圆柱头螺栓 M6x30	4	
E02-6-31	0060-030004-0030	WASHER 6x10.4x1.6	垫圈 6x10.4x1.6	6	
E02-6-32	30212-060810	CAP-SHAPE BOLT M6	螺母M6	2	
E02-6-33	1F30-022011	CYLINDER BOLT M11x1.5x145	气缸螺栓 M11x1.5x145	4	

E02-7 发动机出水管 COOLANT OUTLET PIPE

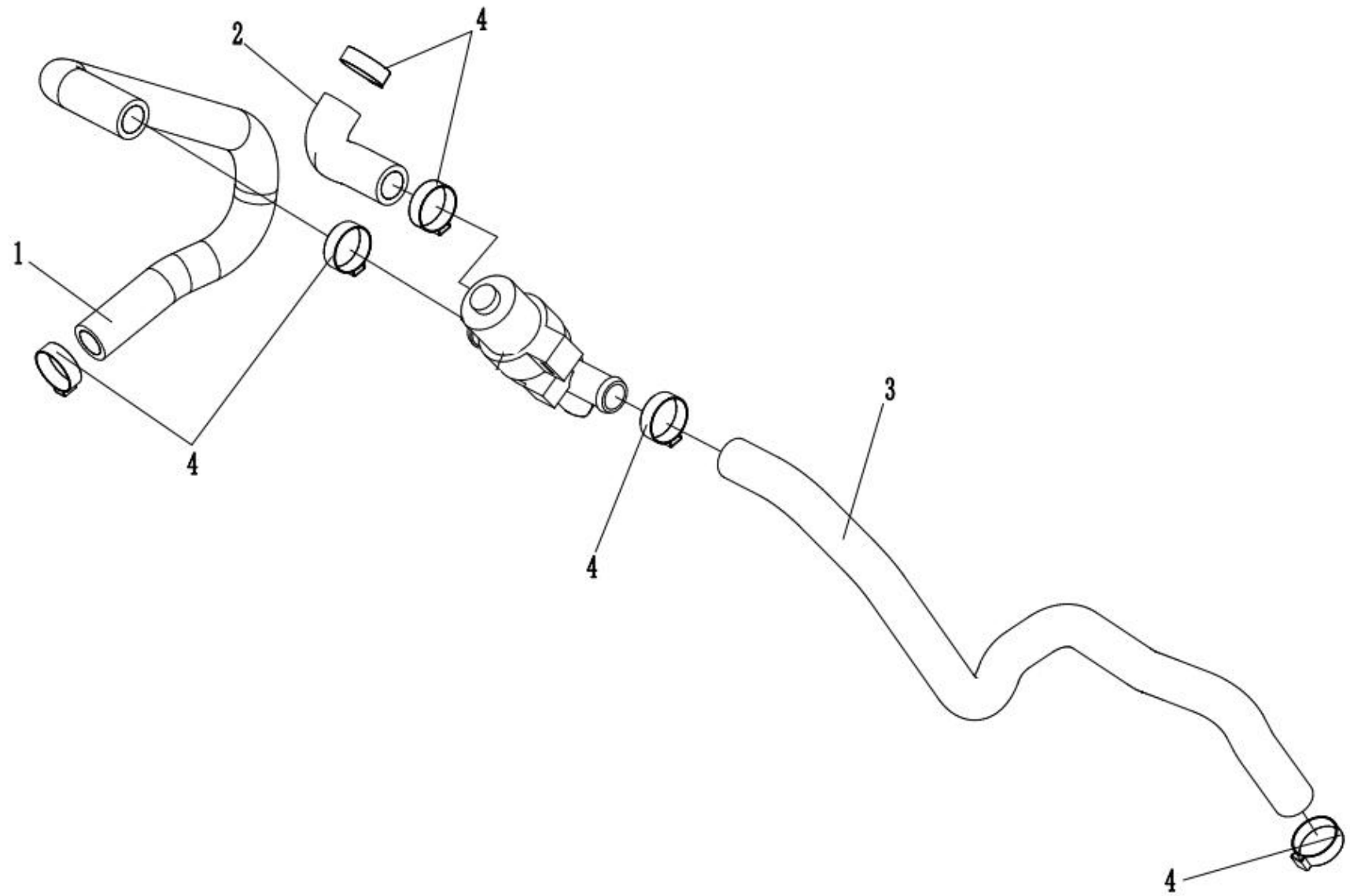
E02-7 发动机出水管/COOLANT OUTLET PIPE



Item No.	Parts Number	Parts Name(EN)	Parts Name(CN)	Qty	Remarks
E02-7-01	1F30-027001-10000	WATER OUTLET PIPE, FIRST CYLINDER HEAD	前气缸盖出水管	1	
E02-7-02	1F30-027003	T-JOINT,WATER PIPE	水管三通	1	
E02-7-03	1F30-027002-10000	WATER OUTLET PIPE, SECOND CYLINDER HEAD	后气缸盖出水管	1	
E02-7-04	9010-180007	CLAMP, WATER HOSE	水管卡箍组件	4	

E02-8 二次补气管组合 SECONDARY AIR PIPE

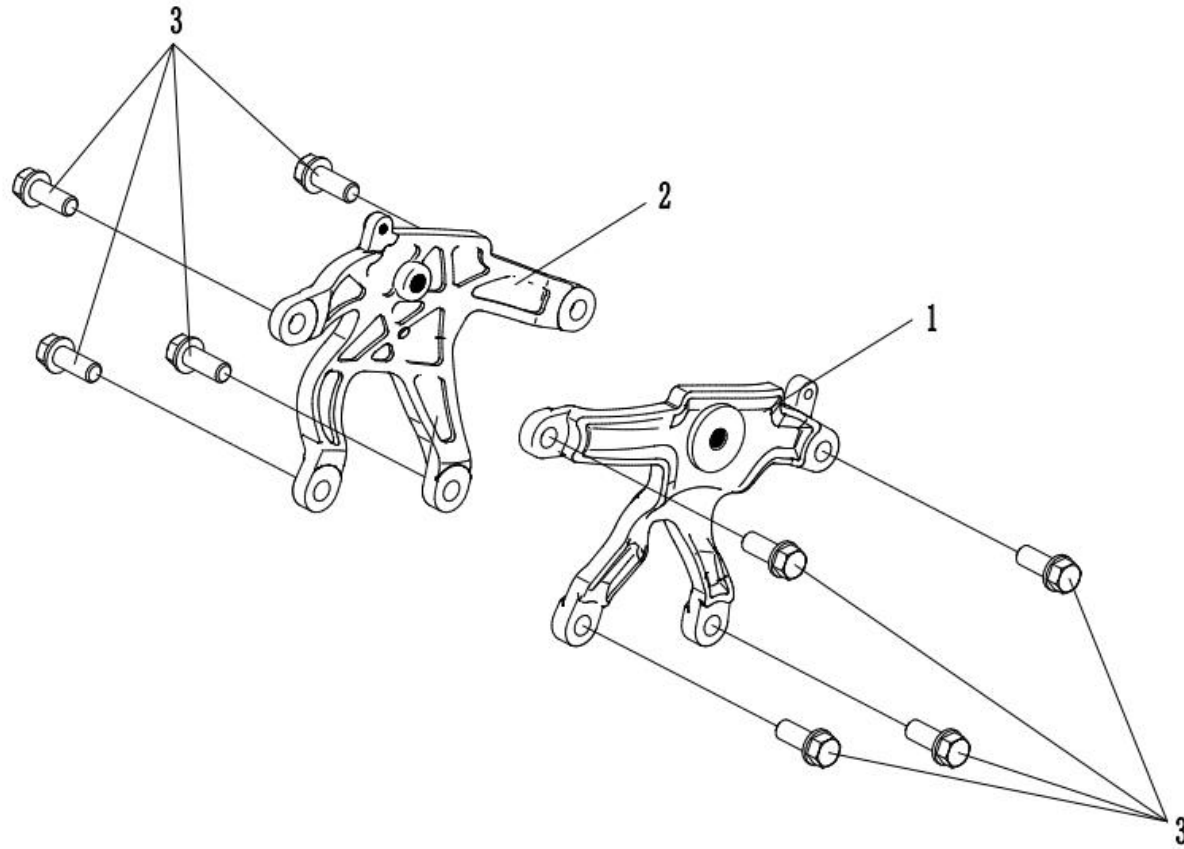
E02-8 二次补气管组合/SECONDARY AIR PIPE



Item No.	Parts Number	Parts Name(EN)	Parts Name(CN)	Qty	Remarks
E02-8-01	1F30-028001-10000	BLOWDOWN PIPE, FIRST CYLINDER	前缸二次补气管	1	
E02-8-01	1F30-028001-10001	AIS PIPE, FIRST CYLINDER	前缸二次补气管	1	
E02-8-02	1F30-028003	AIR INTAKE PIPE, ELECTRICAL CONTROL VALVE	电子控制阀进气管	1	
E02-8-03	1F30-028004-10000	BLOWDOWN PIPE, SECOND CYLINDER	后缸二次补气管	1	
E02-8-04	1F30-028002	CLAMP	无极环箍(Φ21)	6	
E02-8-04	30601-118010	CLAMP A18	环箍	6	
E02-8-05	1F30-028005	THROTTLE PLUG	节流塞	2	

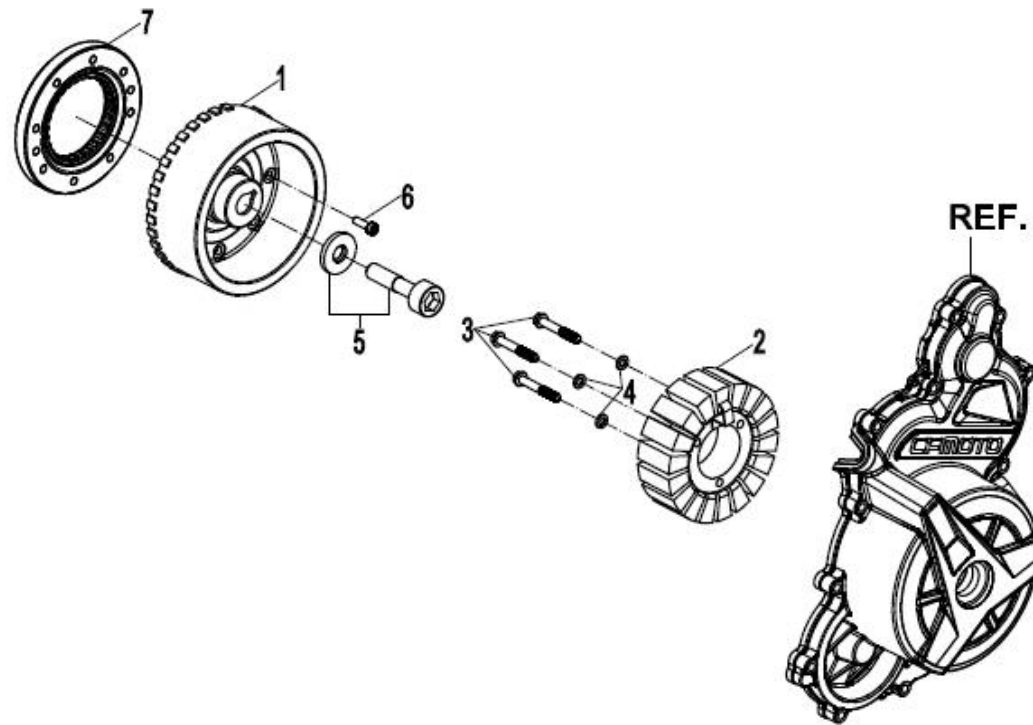
E02-9 发动机吊挂组合 ENGINE HANGER

E02-9 发动机吊挂组合/ENGINE HANGER



Item No.	Parts Number	Parts Name(EN)	Parts Name(CN)	Qty	Remarks
E02-9-01	1F30-029001	LH MOUNTING BRACKET, ENGINE	发动机左吊挂	1	
E02-9-01	1F30-029001-0BP00	LH HANGING BRACKET, ENGINE	发动机左吊挂	1	
E02-9-02	1F30-029002	RH MOUNTING BRACKET, ENGINE	发动机右吊挂	1	
E02-9-02	1F30-029002-1BP00	RH HANGING BRACKET, ENGINE	发动机右吊挂	1	
E02-9-03	1F30-029003	BOLT M10x1.25x25	螺栓 M10x1.25x25	8	

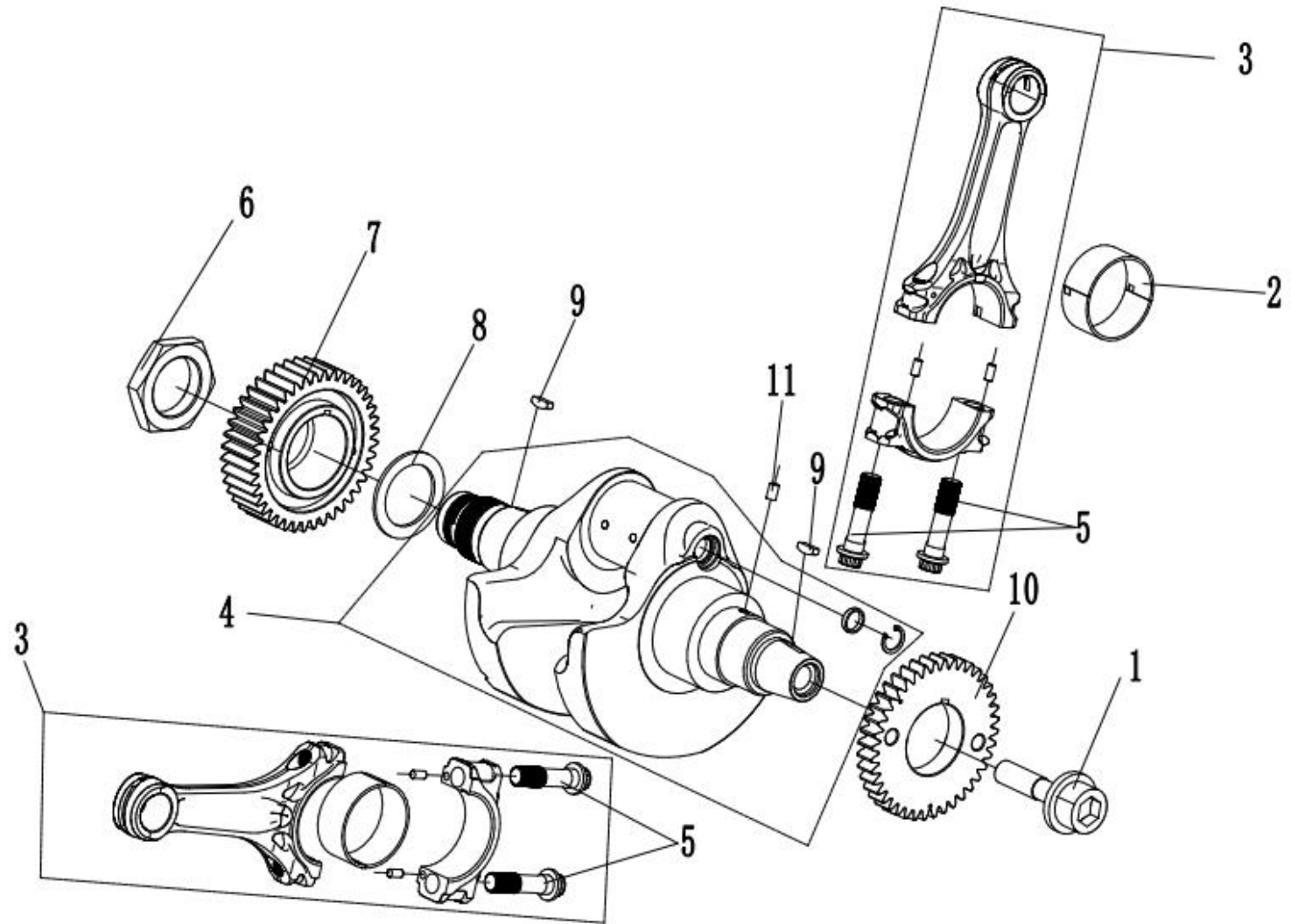
磁电机总成/MAGNETO



Item No.	Parts Number	Parts Name(EN)	Parts Name(CN)	Qty	Remarks
E03-01	1F30-031000	MAGNETO ROTOR	磁电机转子组合	1	
E03-02	1F30-032000	MAGNETO STATOR	磁电机定子组合	1	
E03-03	0180-070004-00001	BOLT M6x40	螺栓M6×40	3	
E03-04	0060-030004-0030	WASHER 6x10.4x1.6	垫圈 6x10.4x1.6	3	
E03-05	1F30-040200	BOLT KIT	螺栓组合	1	
E03-06	1F30-090004	INNER HEX SCREW M6x20	内六角圆柱头螺钉 M6x20	8	
E03-07	1F30-091000	OVERRIDE CLUTCH	超越离合器组件	1	

E04 曲轴连杆总成 CRANKSHAFT & CONNECTING ROD

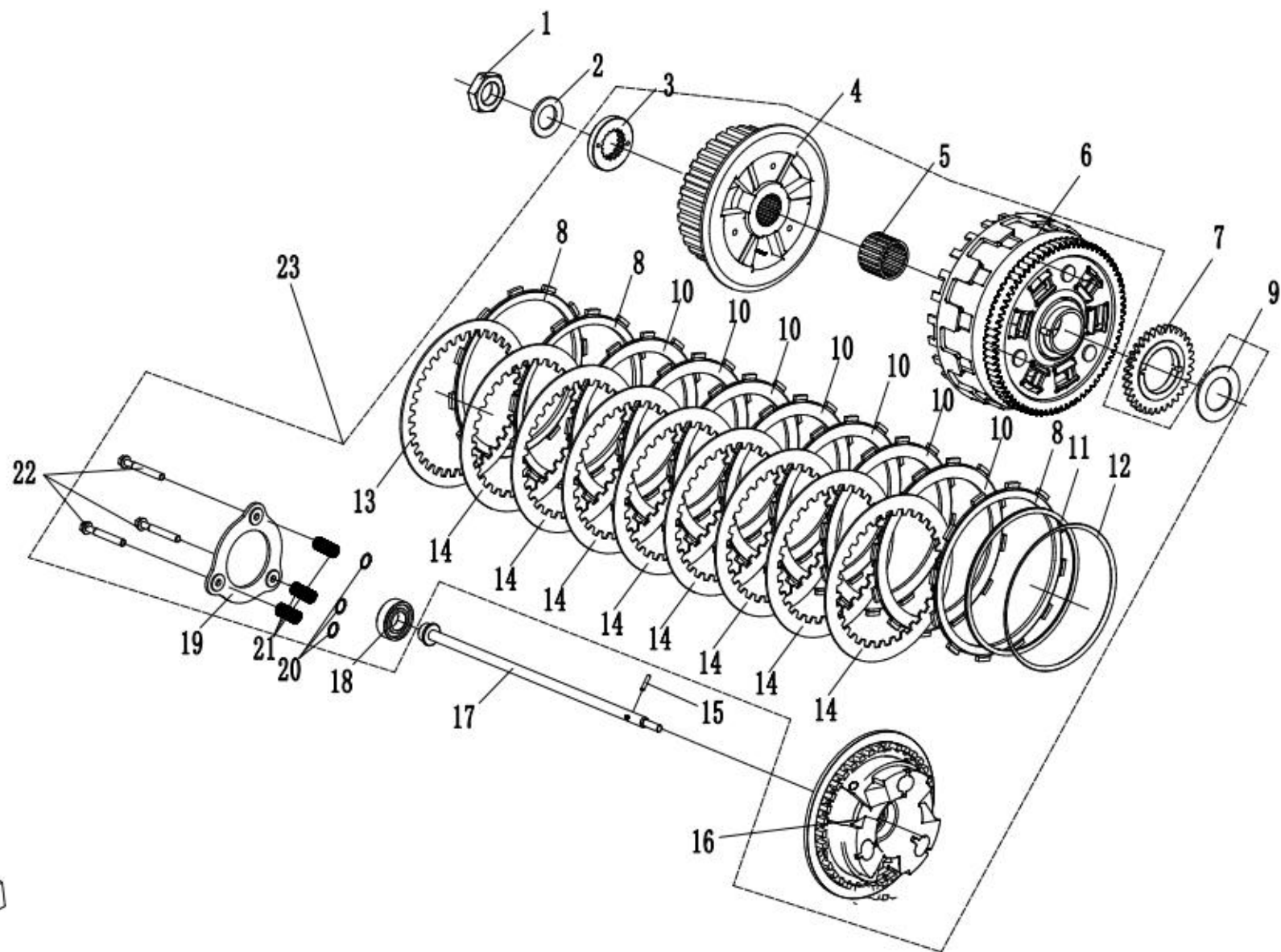
E04-1 曲轴连杆总成 CRANKSHAFT & CONNECTING ROD



Item No.	Parts Number	Parts Name(EN)	Parts Name(CN)	Qty	Remarks
E04-01	1F30-040200	BOLT KIT	螺栓组合	1	
E04-02	1F30-040004-00010	BEARING, CONNECTING ROD	连杆瓦	4	
E04-02	1F30-040004-00030	BEARING, CONNECTING ROD	连杆瓦	4	
E04-02	1F30-040004-00020	BEARING, CONNECTING ROD	连杆瓦	4	
E04-03	1F30-042000	CONNECTING ROD	连杆组合	2	
E04-03	1F30-042000-10001	CONNECTING ROD ASSY	连杆组合	2	
E04-03	1F30-042000-10012	CONNECTING ROD ASSY	连杆组合	1	
E04-03	1F30-042000-10022	CONNECTING ROD ASSY	连杆组合	1	
E04-04	1F30-041000-10000	CRANKSHAFT	曲轴组合	1	
E04-04	1F30-041000-10011	CRANKSHAFT ASSY	曲轴组合	1	
E04-04	1F30-041000-10021	CRANKSHAFT ASSY	曲轴组合	1	
E04-05	1F30-042004	BOLT MJ10x1x40, CONNECTING ROD	连杆螺栓 MJ10x1x40	4	
E04-06	1F30-040005	NUT M33x1.5 (LHT)	螺母 M33x1.5 (LHT)	1	LEFT HAND THREAD
E04-07	1F30-040007-00010	PRIMARY DRIVE GEAR	初级主动齿轮	1	
E04-08	1F30-040006	WASHER M33.2x46x2	垫圈	1	
E04-09	0180-040007	WOODRUFF KEY	半圆键	2	
E04-10	1F30-040008-10000	LH BALANCE DRIVE GEAR	左平衡主动齿轮	1	
E04-11	30406-00501	ROLLER NEEDLE P5x7.8	滚针P5X7.8	1	

E05 离合器总成(滑动离合器) CLUTCH (SLIPPING CLUTCH)

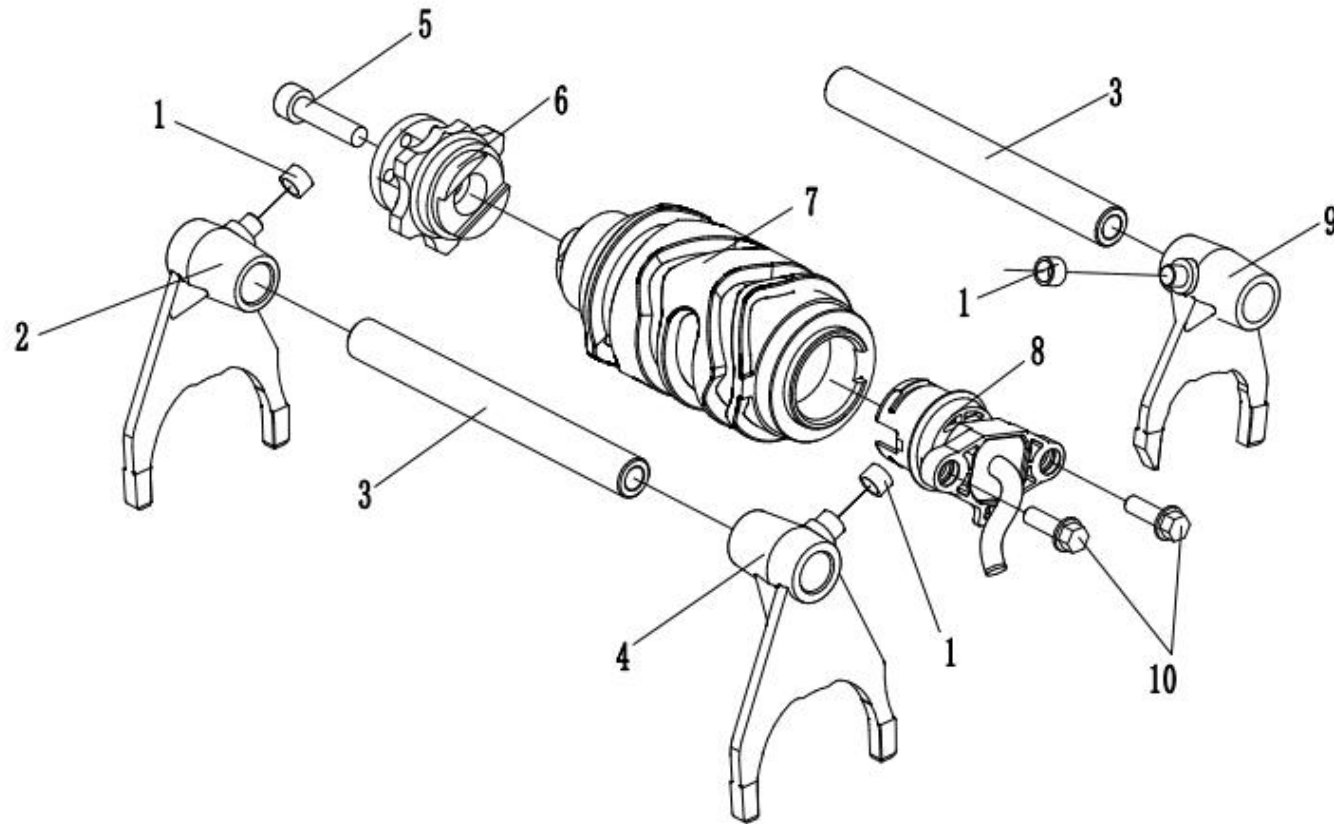
E05 离合器总成(滑动离合器) CLUTCH (SLIPPING CLUTCH)



Item No.	Parts Number	Parts Name(EN)	Parts Name(CN)	Qty	Remarks
E05-01	1F30-050004	NUT M22x1.5	螺母 M22x1.5	1	
E05-02	1F30-050003	WASHER	垫圈	1	
E05-03	1F30-051001	RETAINER, SPLINE	花键垫圈	1	
E05-04	1F30-051002	CENTRAL SLEEVE	中心套	1	
E05-05	30499-03004	NEEDLE BEARING	滚针轴承	1	
E05-06	1F30-051100	OUTER GUARD ASSY	外罩组合	1	
E05-07	1F30-050002	DRIVE GEAR, OIL PUMP	机油泵主动齿轮	1	
E05-08	1F30-051020	FRICTION DISC B	摩擦片组件B	3	
E05-09	1F30-051013	RETAINER 30.2x50x2	垫圈30.2X50X2	1	
E05-10	1F30-051010	FRICTION DISC A	摩擦片组件A	7	
E05-11	1F30-051003	THRUST RETAINER	止推垫圈	1	
E05-12	1F30-051004	SPRING	碟形弹簧	1	
E05-13	1F30-051006	STEEL PLATE B	钢片B	1	
E05-14	1F30-051005	STEEL PLATE A	钢片A	8	
E05-15	30406-00305	ROLLER PIN	滚针	1	
E05-16	1F30-051007	PRESS PLATE	压盘	1	
E05-17	1F30-052000	CAB FRAME	顶杆组件	1	
E05-18	30400-01702	BEARING 6003	滚动轴承 6003	1	
E05-19	1F30-051011	PRESS PLATE, CLUTCH SPRING	离合器弹簧压板	1	
E05-20	1F30-051012	SPRING SEAT, CLUTCH	离合器弹簧座	3	
E05-21	1F30-051008	SPRING, CLUTCH	离合器弹簧	3	
E05-22	1F30-051009	BOLT	螺栓	3	
E05-23	1F30-051000-00010	CLUTCH SUB ASSY	离合器分总成	1	
E05-23	1F30-051000-00020	CLUCTH SUB ASSY	离合器分总成	1	
E05-23	1F30-051000-10010	CLUTCH ASSY	离合器分总成	1	
E05-23	1F30-051000-10020	CLUTCH ASSY	离合器分总成	1	

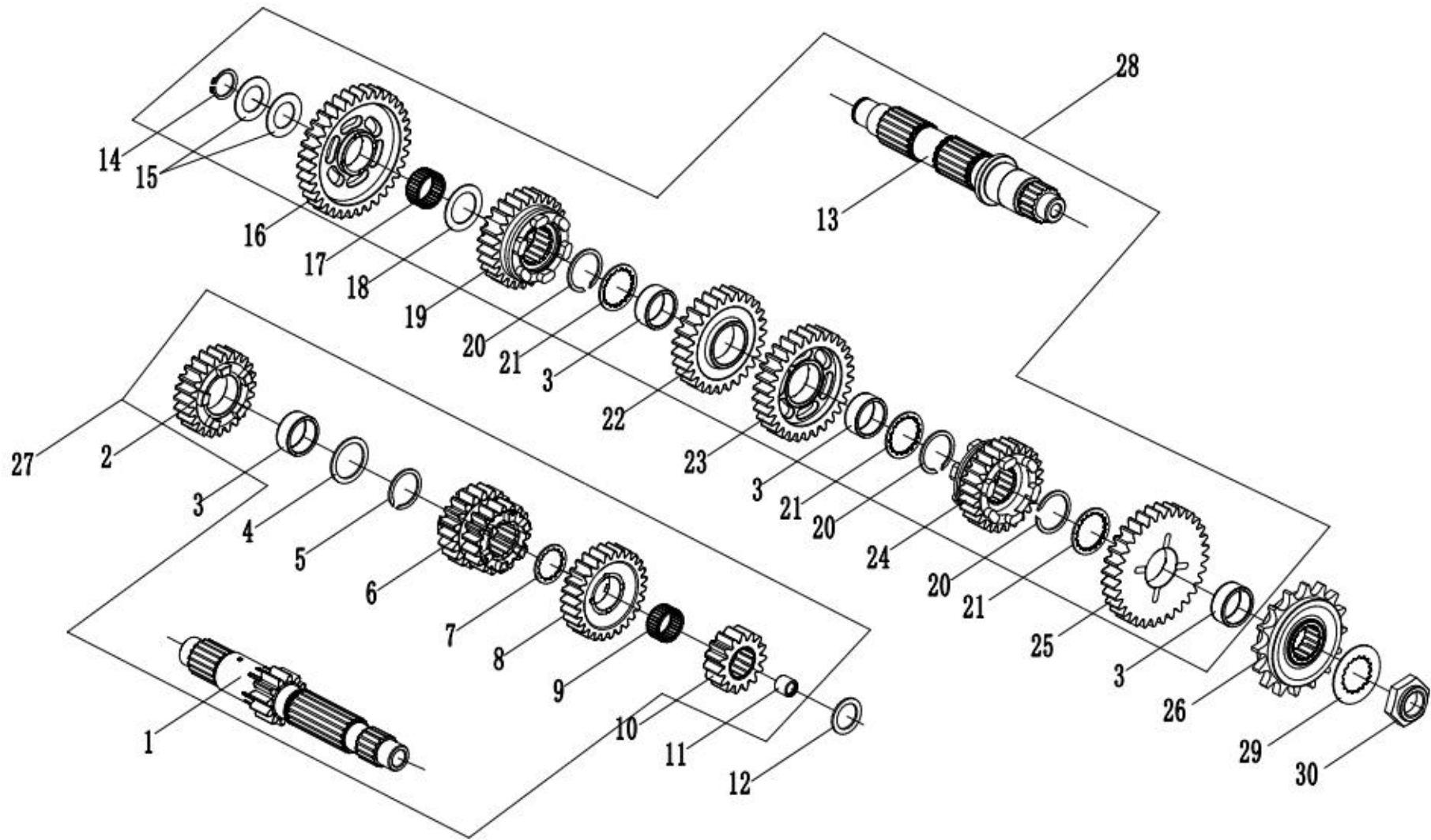
E06-1 换挡变速总成 (1) TRANSMISSION SYSTEM (1)

E06-1 换挡变速总成 (1) TRANSMISSION SYSTEM (1)



Item No.	Parts Number	Parts Name(EN)	Parts Name(CN)	Qty	Remarks
E06-1-01	1F30-060008	SHAFT SLEEVE 6X8X5.2	轴套	3	
E06-1-02	1F30-060006	FORK, COUNTERSHAFT (GEAR 1-4)	副轴拨叉_1-4挡	1	
E06-1-03	1F30-060003	FORK SHAFT	拨叉轴	2	
E06-1-04	1F30-060007	FORK, COUNTERSHAFT (GEAR 2-3)	副轴拨叉_2-3挡	1	
E06-1-05	0060-030003-00001	INNER HEX SCREW M6x30	内六角圆柱头螺栓	1	
E06-1-06	1F30-063200	THUMBWHEEL ASSY	拨轮组合	1	
E06-1-07	1F30-063101-10001	SHIFT DRUM	变档毂	1	
E06-1-08	1F30-063300	GEAR SENSOR ASSY.	档位传感器组件	1	
E06-1-09	1F30-060005	FORK, MAIN SHAFT	主轴拨叉	1	
E06-1-10	1F30-063001	BOLT M5x16	螺栓 M5x16	2	

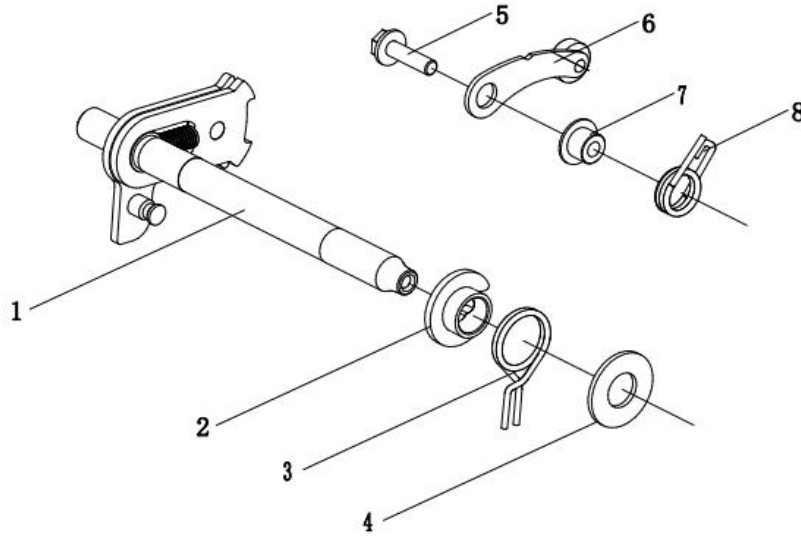
E06-2 换挡变速总成(2)/TRANSMISSION SYSTEM(2)



Item No.	Parts Number	Parts Name(EN)	Parts Name(CN)	Qty	Remarks
E06-2-01	1F30-061001	MAIN SHAFT	主轴	1	
E06-2-02	1F30-061002	FIFTH GEAR, MAIN SHAFT	主轴五档齿轮	1	
E06-2-03	1F30-061100	BEARING K26x31x13D	滚针轴承K26X31X13D	4	
E06-2-04	1F30-061003	RETAINER	垫圈	1	
E06-2-05	1F30-061004	RETAINER	轴用挡圈	1	
E06-2-06	1F30-061005-10000	THIRD&FORTH GEAR, MAIN SHAFT	主轴三四档齿轮	1	
E06-2-07	1F30-061006	RETAINER, SPLINE	花键垫圈	1	
E06-2-08	1F30-061007-10000	MAIN SHAFT 6TH GEAR	主轴六档齿轮	1	
E06-2-09	1F30-061200	BEARING K22x26x13D	滚针轴承K22X26X13D	1	
E06-2-10	1F30-061008-10000	MAIN SHAFT 2ND GEAR	主轴二档齿轮	1	
E06-2-11	30403-00900	BEARING	滚针轴承	1	
E06-2-12	1F30-060002	ADJUSTING WASHER 20.2X28	调整垫圈	1	
E06-2-13	1F30-062001	COUNTERSHAFT	副轴	1	
E06-2-14	30801-02005	CIRCLIPS FOR SHAFT 20	轴用弹性挡圈 20	1	
E06-2-15	1F30-062012	RETAINER 20.2x34x1	垫圈 20.2x34x1	2	
E06-2-16	1F30-062011	FIRST GEAR, COUNTERSHAFT	副轴一档齿轮	1	
E06-2-17	1F30-062100	BEARING K24x28x13	滚针轴承K24X28X13	1	
E06-2-18	1F30-062003	RETAINER 24.2x36x1	垫圈 24.2x36x1	1	
E06-2-19	1F30-062009-10000	FIFTH GEAR, COUNTERSHAFT	副轴五档齿轮	1	
E06-2-20	1F30-062004	RETAINER 27.5	轴用挡圈27.5	3	
E06-2-21	1F30-062006	RETAINER, SPLINE 27.3x36x1.5	花键垫圈 27x36x1.5	3	
E06-2-22	1F30-062008-10000	FORTH GEAR, COUNTERSHAFT	副轴四档齿轮	1	
E06-2-23	1F30-062007-10000	THIRD GEAR, COUNTERSHAFT	副轴三档齿轮	1	
E06-2-24	1F30-062005-10000	SIXTH GEAR, COUNTERSHAFT	副轴六档齿轮	1	
E06-2-25	1F30-062002-10000	SECND GEAR, COUNTERSHAFT	副轴二档齿轮	1	
E06-2-26	1F30-060020-30000	OUTPUT SPROCKET, COUNTERSHAFT	副轴输出链轮组件	1	
E06-2-27	1F30-061000-10000	MIAN SHAFT ASSY	主轴组合	1	
E06-2-28	1F30-062000-10000	COUNTERSHAFT ASSY	副轴组合	1	
E06-2-29	1F30-060011	LOCK WASHER	锁紧垫片	1	
E06-2-30	1F30-060012	NUT M20x1.5	螺母 M20x1.5	1	

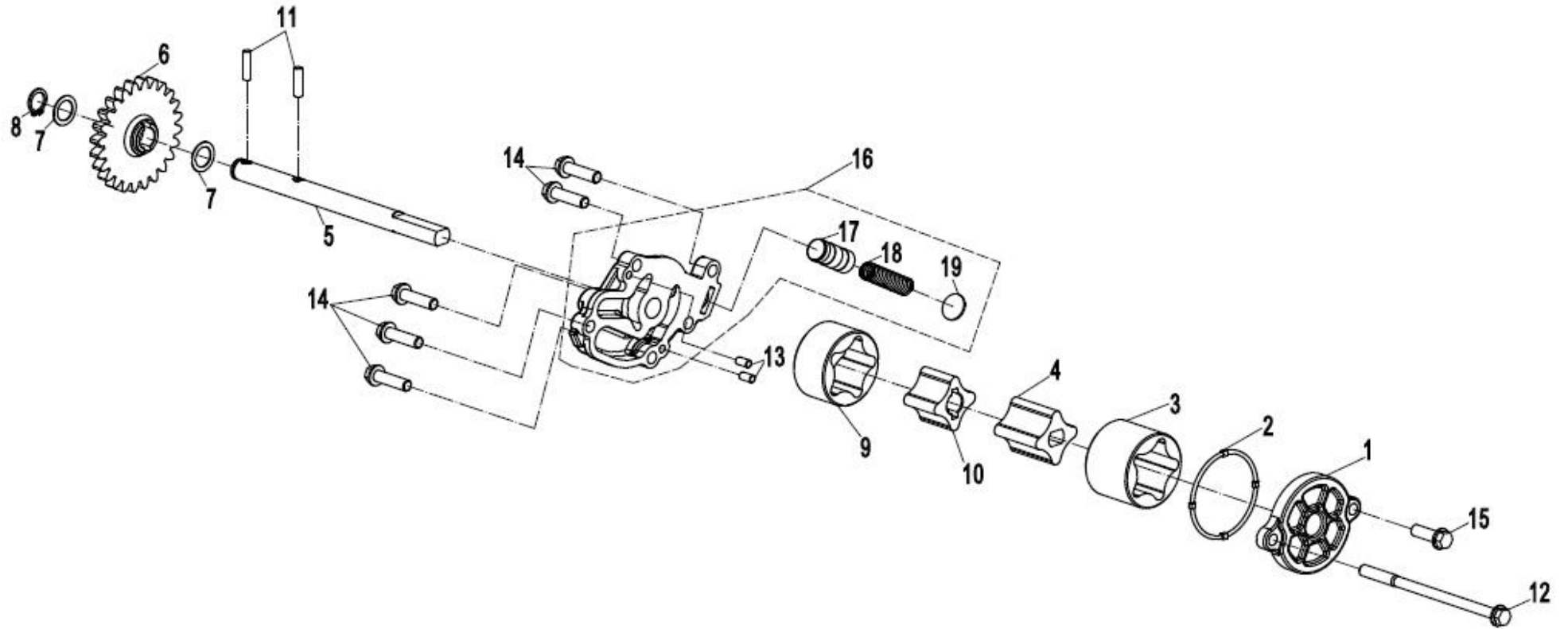
E06-3 换挡变速总成 (3) TRANSMISSION SYSTEM (3)

E06-3换挡变速总成(3)/TRANSMISSION SYSTEM(3)



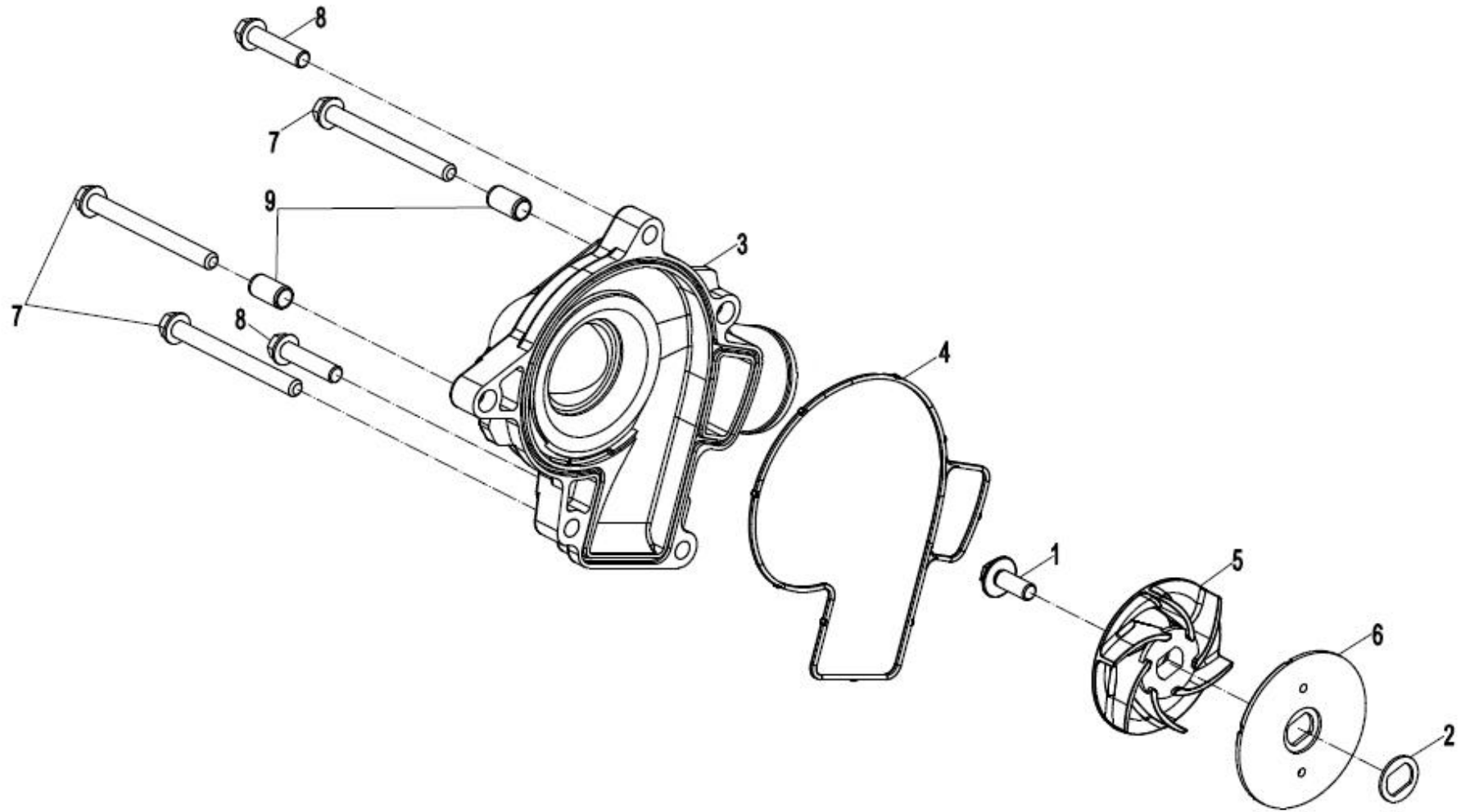
Item No.	Parts Number	Parts Name(EN)	Parts Name(CN)	Qty	Remarks
E06-3-01	1F30-065100-10000	SHIFT SHAFT	换挡轴焊接组件	1	
E06-3-02	1F30-065001	GUIDE SLEEVE, SPRING	弹簧导向套	1	
E06-3-03	1F30-065002	RETURN SPRING	回位扭簧	1	
E06-3-04	1F30-065003	WASHER 14X30X2	垫圈	1	
E06-3-05	1F30-064002	FLANGE BOLT M6x22	法兰面螺栓 M6x22	1	
E06-3-06	1F30-064100	SPRING, SWINGARM	换挡定位摇臂组件	1	
E06-3-07	1F30-064003	SHAFT SLEEVE	轴套	1	
E06-3-08	1F30-064001	SPRING, SWINGARM	换挡定位摇臂扭簧	1	

机油泵总成/OIL PUMP ASSY



Item No.	Parts Number	Parts Name(EN)	Parts Name(CN)	Qty	Remarks
E07-01	1F30-070001-0BP00	LH OIL PUMP COVER	左机油泵盖	1	
E07-02	1F30-070002-10000	O-SEAL RING 44x2	O形密封圈	1	
E07-03	1F30-070003	OUTER ROTOR, AUXILIARY OIL PUMP	左机油泵外转子	1	
E07-04	1F30-070004	INNER ROTOR, AUXILIARY OIL PUMP	左机油泵内转子	1	
E07-05	1F30-070005	SHAFT,OIL PUMP	机油泵轴	1	
E07-06	1F30-070007	DRIVEN GEAR, OIL PUMP	机油泵从动齿轮	1	
E07-07	1F30-070006	WAHSER 11X16X0.5	垫圈	2	
E07-08	30801-01100	CIRCLIPS FOR SHAFT 11	轴用弹性挡圈11	1	
E07-09	0700-071007	OUTER ROTOR, AUXILIARY OIL PUMP	副机油泵外转子	1	
E07-10	0700-071008	INNER ROTOR, AUXILIARY OIL PUMP	副机油泵内转子	1	
E07-11	30406-00400	ROLLER NEEDLE P4x15.8	滚针 P4x15.8	2	
E07-12	1F30-011012	BOLT M6x98	螺栓 M6x98	1	
E07-13	30406-00401	ROLLER NEEDLE P4x7.8	滚针 P4x7.8	2	
E07-14	0010-080013-0010	BOLT M6x22	螺栓 M6x22	5	
E07-15	0010-023008-00001	BOLT M6x18	螺栓 M6x18	1	
E07-16	1F30-070100	OIL PUMP COVER	右机油泵盖组合	1	
E07-17	1F30-070102	PLUNGER	柱塞	1	
E07-18	1F30-070103	SPRING	弹簧	1	
E07-19	1F30-070104	WASHER 14	垫圈14	1	

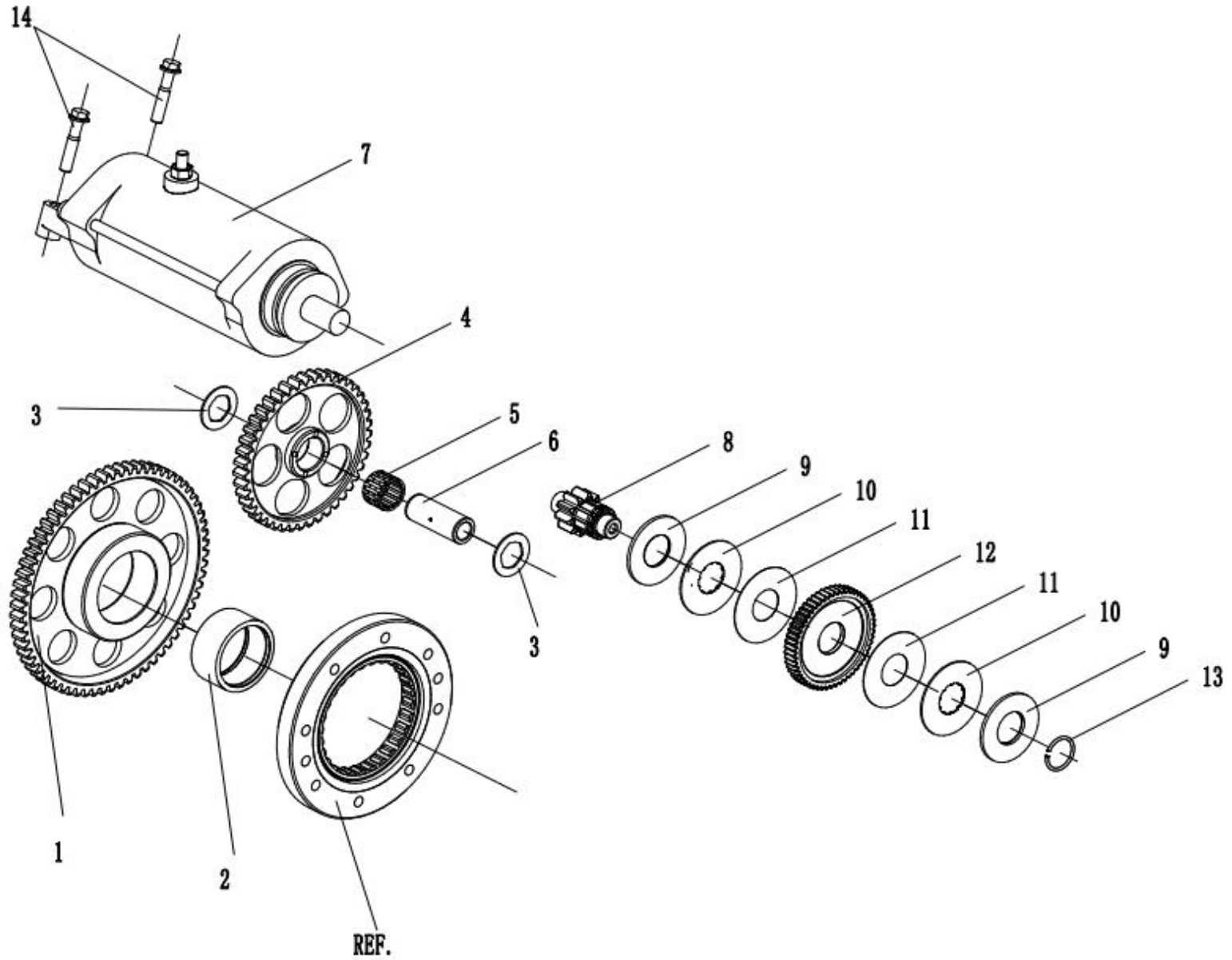
水泵总成/WATER PUMP



Item No.	Parts Number	Parts Name(EN)	Parts Name(CN)	Qty	Remarks
E08-01	1F30-080006	BOLT M6x16	螺栓M6×16	1	
E08-02	1F30-080003	WAHSER	垫圈	1	
E08-03	1F30-080004	WATER PUMP COVER	水泵盖	1	
E08-03	1F30-080004-0BP01	WATER PUMP COVER	水泵盖	1	
E08-03	1F30-080004-0B200	WATER PUMP COVER	水泵盖	1	
E08-04	1F30-080005	SEAL RING, WATER PUMP COVER	水泵盖密封圈	1	
E08-05	1F30-080011	IMPELLER, WATER PUMP	水泵叶轮	1	
E08-06	1F30-080012	IMPELLER COVER, WATER PUMP	水泵叶轮盖	1	
E08-07	0010-011017-0010	BOLT M6x60	螺栓	3	
E08-08	0010-021017-0010	BOLT M6x25	螺栓	2	
E08-09	0010-080008	DOWEL PIN	定位销Φ8X14	2	
E08-10	0700-081200	WATER SEAL ASSY	水封组件	1	

E09 启动系统总成 STARTING SYSTEM

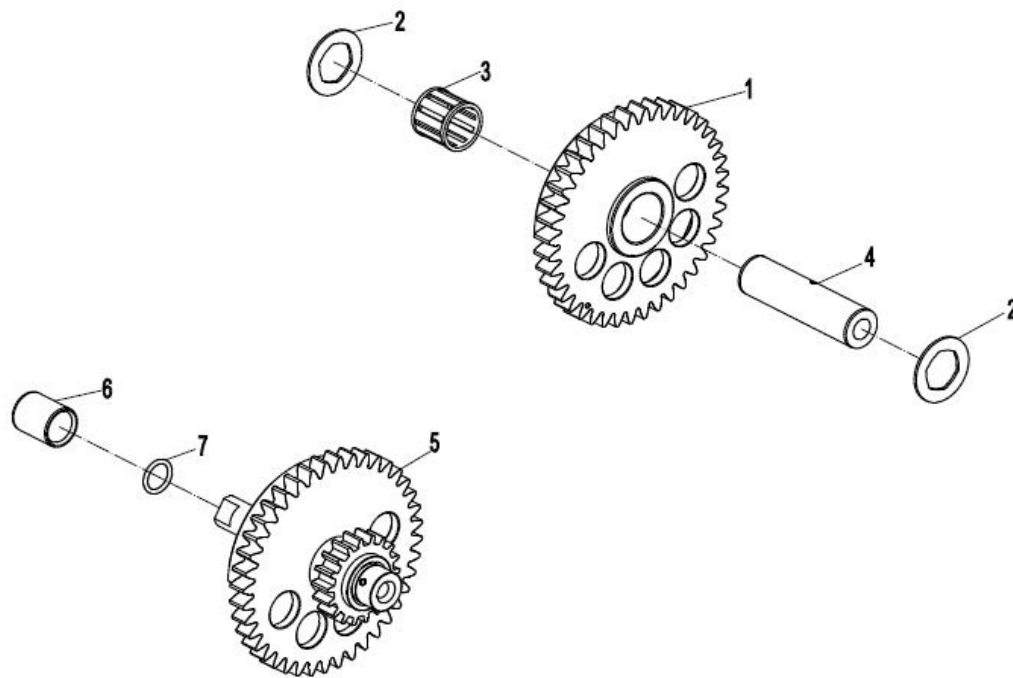
E09 启动系统总成/STARTING SYSTEM



Item No.	Parts Number	Parts Name(EN)	Parts Name(CN)	Qty	Remarks
E09-01	1F30-094001	GEAR, STARTER	起动大齿轮	1	
E09-02	30403-03500	NEEDLE BEARING	滚针轴承	1	
E09-03	1F30-090001	WASHER 15.2X25X1	垫圈	2	
E09-04	1F30-090003	IDLE GEAR	惰齿轮	1	
E09-05	1F30-095000	NEEDLE BEARING K15X19X13	滚针轴承	1	
E09-06	1F30-090002-10000	IDLE GEAR SHAFT	惰齿轮轴	1	
E09-07	1F30-093000	STARTER MOTOR	起动电机组件	1	
E09-08	1F30-092004	SECONDARY REDUCTION GEAR	二级减速齿轮	1	
E09-09	1F30-092003	SPRING 18.4X40X2	碟形弹簧	2	
E09-10	1F30-092002-00100	SPLINE WASHER 18.3X43	花键垫圈	2	
E09-11	1F30-092005	FRICTION DISK 18.4X44X0.38	摩擦盘	2	
E09-12	1F30-092001	PRIMARY REDUCTION GEAR	一级减速齿轮	1	
E09-13	30806-01805	CIRCLIP	挡圈	1	
E09-14	0010-060012-0010	BOLT M6x30	螺栓	2	

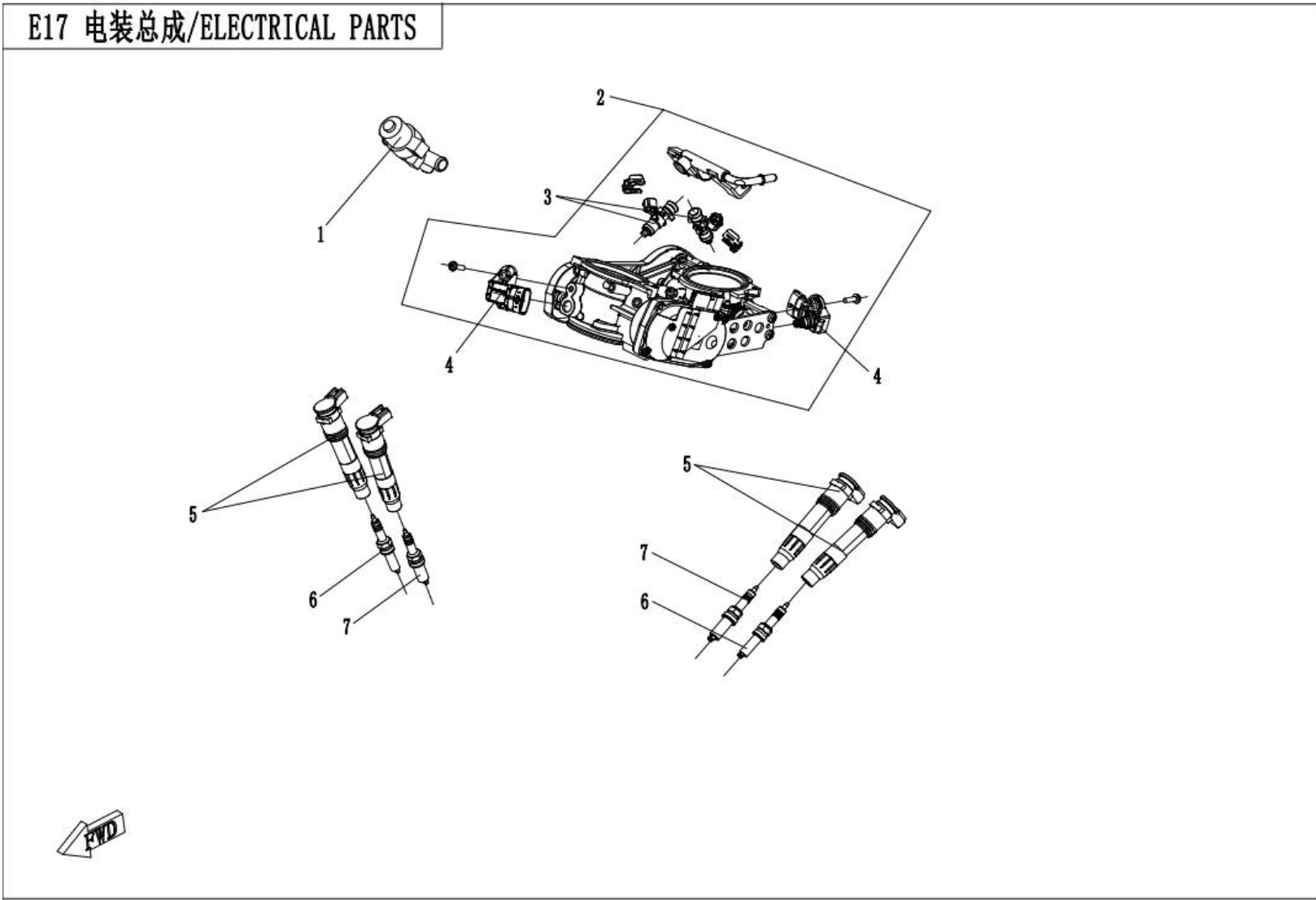
E16 平衡轴总成 BALANCER SHAFT

平衡轴总成/BALANCER SHAFT



Item No.	Parts Number	Parts Name(EN)	Parts Name(CN)	Qty	Remarks
E16-01	1F30-161001-10000	BALANCER BLOCK, LH GEAR	左端齿轮平衡块	1	
E16-02	1F30-161003	WASHER 15.2x28x1	垫圈	2	
E16-03	1F30-161100-10000	NEEDLE BEARING KMJ15x21x16.8x1SK	滚针轴承	1	
E16-04	1F30-161002	LH BALANCER SHAFT	左端平衡轴	1	
E16-05	1F30-162001-40000	TIMING SPROCKET SHAFT	右端正时链轮轴	1	
E16-06	1F30-162002-20000	SHAFT SLEEVE	轴套	1	
E16-07	1F30-162003	O-SEAL RING 9X1.5	O形密封圈	1	

E17 电装总成 ELECTRICAL PARTS



Item No.	Parts Number	Parts Name(EN)	Parts Name(CN)	Qty	Remarks
E17-01	1F30-179000	SECONDARY GULP VALVE	二次补气阀	1	
E17-02	1F30-173000	ELECTRONIC THROTTLE BODY	节气门阀体总成	1	
E17-03	1F30-171000	FUEL INJECTOR	喷油器	2	
E17-04	0JY0-175000	T-MAP	进气温度、压力传感器	2	
E17-05	1F30-178000-10001	IGNITION COIL	点火线圈	4	
E17-06	1F30-022400	SPARK PLUG	火花塞组件	2	
E17-07	1F30-022500	SPARK PLUG	火花塞组件	2	